

# Flush-type connector - SACC-CI-M12MS-5CON-L90 SCO - 1436686

Please be informed that the data shown in this PDF Document is generated from our Online Catalog. Please find the complete data in the user's documentation. Our General Terms of Use for Downloads are valid (<http://phoenixcontact.com/download>)



Sensor/actuator flush-type connector, plug, 5-pos., A-coded, with angled solder connection, only contact insert



## Key commercial data

|                                      |                 |
|--------------------------------------|-----------------|
| Packing unit                         | 20 pc           |
| Minimum order quantity               | 20 pc           |
| GTIN                                 | 4 046356 438759 |
| Weight per Piece (excluding packing) | 5.16 g          |
| Custom tariff number                 | 85366990        |
| Country of origin                    | Germany         |

## Technical data

### Ambient conditions

|                                 |   |
|---------------------------------|---|
| Ambient temperature (operation) | -25 °C ... 85 °C (Plug / socket)                |
|                                 | -40 °C ... 85 °C (without mechanical actuation) |
| Degree of protection            | IP67  |

### General

|                       |  |
|-----------------------|--|
| Note                  | The electrical and mechanical data specified assume that the connector pair is correctly locked and mounted. If the connector is unlocked and if there is a danger of contamination, the connector must be sealed using a protective cap > IP54. Influences arising from litz wires, cables or PCB assembly must also be taken into consideration. |
| Rated current at 40°C | 4 A  |
| Rated voltage         | 60 V   |
| Number of positions   | 5  |
| Contact resistance    | ≤ 3 mΩ   |
| Insulation resistance | ≥ 100 MΩ   |
| Coding                | A - standard   |
| Standards/regulations | M12 connector IEC 61076-2-101  |

# Flush-type connector - SACC-CI-M12MS-5CON-L90 SCO - 1436686

## Technical data

### General

|                             |                                   |
|-----------------------------|-----------------------------------|
| Status display              | No                                |
| Surge voltage category      | II                                |
| Pollution degree            | 3                                 |
| Connection method           | Solder pins                       |
| Insertion/withdrawal cycles | > 100                             |
| Torque                      | 3 Nm ... 4 Nm (Installation-side) |
| Mounting type               | PCB mounting                      |

### Material

|   |            |
|---|------------|
| Inflammability class according to UL 94 | V0         |
| Contact material                        | CuZn       |
| Contact surface material                | Au         |
| Contact carrier material                | PA 66      |
| Sealing material                        | FKM / EPDM |

### Cable

|                                    |   |
|------------------------------------|---|
| Conductor cross section            | 0.34 mm <sup>2</sup>                            |
| Conductor structure signal line    | 7x 0.25 mm                                      |
| Core diameter including insulation | 1.2 mm ±0.07 mm                                 |
| Thickness, insulation              | 0.21 mm   |
| Insulation resistance              | ≥ 20 MΩ*km                                      |
| Conductor resistance               | ≤ 57.6 mΩ/m                                     |
| Nominal voltage, cable             | 300 V   |
| Test voltage, cable                | 2000 V AC                                       |
| Ambient temperature (operation)    | -40 °C ... 85 °C (cable, fixed installation)    |
|                                    | -25 °C ... 85 °C (cable, flexible installation) |

## Classifications

### eCl@ss

|            |          |
|------------|----------|
| eCl@ss 4.0 | 27060306 |
| eCl@ss 4.1 | 27060306 |
| eCl@ss 5.0 | 27061801 |
| eCl@ss 5.1 | 27260701 |
| eCl@ss 6.0 | 27279220 |
| eCl@ss 7.0 | 27440103 |
| eCl@ss 8.0 | 27440103 |

### ETIM

|          |          |
|----------|----------|
| ETIM 3.0 | EC002061 |
| ETIM 4.0 | EC002061 |
| ETIM 5.0 | EC002061 |

# Flush-type connector - SACC-CI-M12MS-5CON-L90 SCO - 1436686

## Classifications

### UNSPSC

|               |          |
|---------------|----------|
| UNSPSC 6.01   | 31251501 |
| UNSPSC 7.0901 | 31251501 |
| UNSPSC 11     | 31251501 |
| UNSPSC 12.01  | 31251501 |
| UNSPSC 13.2   | 31251501 |

## Approvals

### Approvals

#### Approvals

UL Recognized / cUL Recognized / EAC / cULus Recognized

#### Ex Approvals

#### Approvals submitted

## Approval details


|                                |       |
|--------------------------------|-------|
| UL Recognized                  |       |
| mm <sup>2</sup> /AWG/kcmil     | 26-20 |
| Nominal current I <sub>N</sub> | 4 A   |
| Nominal voltage U <sub>N</sub> | 60 V  |

|                                |       |
|--------------------------------|-------|
| cUL Recognized                 |       |
| mm <sup>2</sup> /AWG/kcmil     | 26-20 |
| Nominal current I <sub>N</sub> | 4 A   |
| Nominal voltage U <sub>N</sub> | 60 V  |

|     |
|-----|
| EAC |
|-----|

## Flush-type connector - SACC-CI-M12MS-5CON-L90 SCO - 1436686

### Approvals

cULus Recognized 

### Accessories

#### Accessories

#### Panel mounting base

#### Housing screw connection - SACC-M12-SCO PLUG - 1551493



M12 SPEEDCON housing screw connection for M12 male inserts, with O-ring, for all SPEEDCON-capable THR and wave soldering contact carriers

#### Housing screw connection - SACC-M12-SCO PLUG L90 - 1436709



M12-SPEEDCON housing screw connection for M12 male inserts, with flat gasket, for all Speedcon-compatible THR and wave soldering contact carriers

#### Housing screw connection - SACC-M12 PLUG PRESS - 1437892



M12 pin, housing screw connection, press-in version, for all Speedcon-compatible THR and wave soldering contact carriers

#### Protective cap

#### Sealing cap - PROT-M12 FS - 1560251



M12 sealing cap for unoccupied M12 plugs of the sensor/actuator cable, flush-type plugs and I/O devices in the field

# Flush-type connector - SACC-CI-M12MS-5CON-L90 SCO - 1436686

## Accessories

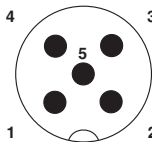
Sealing cap - PROT-M12 FS-M - 1430488



M12 metal sealing cap for unoccupied M12 plugs of the sensor/actuator cable, flush-type plugs and I/O devices in the field

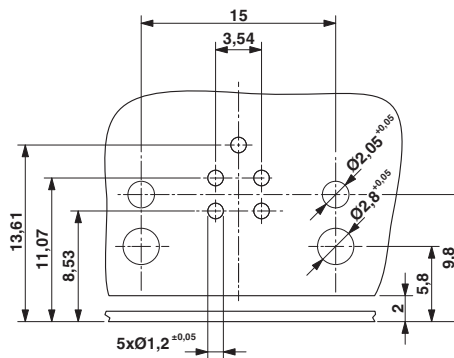
## Drawings

Schematic diagram



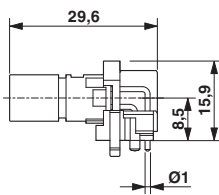
Pin assignment M12 male connector, 5-pos., A-coded, male side

Drilling diagram



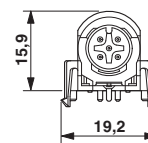
Drilling diagram only valid in connection with the SACC-M12-SCO PLUG L90 housing (order no. 1436709)

Dimensioned drawing



M12 flush-type connector, plug, contact carrier, side view

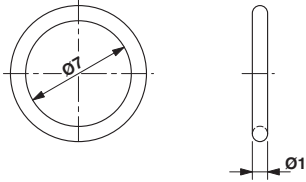
Dimensioned drawing



M12 flush-type connector, plug, contact carrier, front view

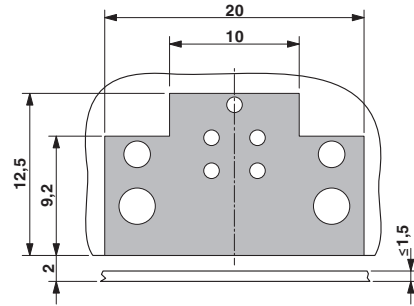
## Flush-type connector - SACC-CI-M12MS-5CON-L90 SCO - 1436686

Dimensioned drawing



- Optionally with O-ring (green) for tight seal when plugged in.
- the axial mating force of 80 N per connector may not be exceeded when using with assembled O-ring!
  - Avoid radial forces!

Dimensioned drawing



Locked area on the PCB