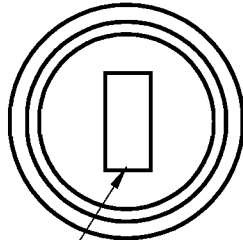
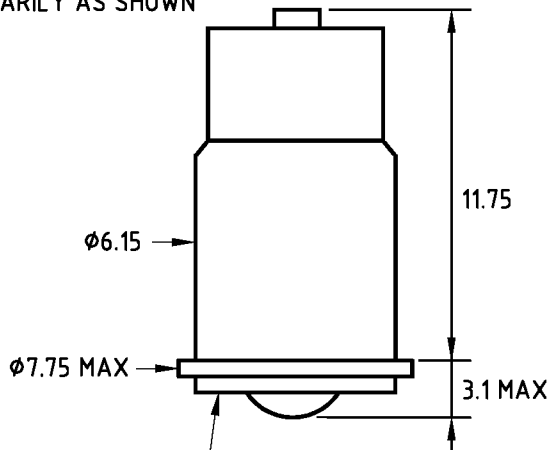


THIS DRAWING AND THE COPYRIGHT AND DESIGN RIGHT THEREIN ARE THE PROPERTY OF OXLEY DEVELOPMENTS CO. Ltd. AND MUST NOT BE REPRODUCED OR DISCLOSED TO A THIRD PARTY WITHOUT PRIOR WRITTEN CONSENT OF THE COMPANY.

MODIFICATIONS					
ZONE	ISS.	DESCRIPTION	DATE	DRN. / CHK.	APP.
	3	DCN 09/062	16 APR 09	-/-	-
	4	REDRAWN, AMBER ADDED, DCR 10-0284	13 MAY 10	TC/TW	MT



ORIENTATION OF LED IN RELATION TO BASE NOT NECESSARILY AS SHOWN



COLOURED DOT ON BASE DENOTES VOLTAGE (SEE TABLE)

ORDERING INFORMATION :

WHEN ORDERING, PLEASE STATE TYPE NUMBER, SPECIFYING VOLTAGE & LED COLOUR REQUIRED

HIGH INTENSITY e.g ELED/1750/BP/28/H/GREEN

VOLTAGE REQUIRED 6, 12, 18, 24 or 28V

LED COLOUR REQUIRED (AlGaAs RED, AMBER, BLUE, WHITE or GREEN)

ELECTRO/OPTICAL CHARACTERISTICS (HIGH INTENSITY)						
PARAMETER @20mA	UNITS	AlGaAs RED	AMBER	BLUE	WHITE	GREEN
LUMINOUS INTENSITY (TYP)	mcd	125	125	90	320	400
OPERATING CURRENT (TYP)	mA	17				
OPERATING VOLTAGES AVAILABLE	V	SEE TABLE				
OPERATING TEMPERATURE RANGE	°C	-40 to +85				

BASE DOT COLOUR	VOLTAGE
BLUE	6
YELLOW	12
GREEN	18
BROWN	24
VIOLET	28

UNLESS OTHERWISE SPECIFIED DIMENSIONS ARE IN MILLIMETRES LINEAR ± 0.5 ANGLES ± 0°30' REMOVE BURRS AND SHARP EDGES ALL DIMENSIONS AFTER PLATING	DRAWN	TOM COX		OXLEY DEVELOPMENTS COMPANY LTD. t. 44 (0)1229 582621 Priority Park, Ulverston, Cumbria, LA12 9QG. ENGLAND. f. 44 (0)1229 585090 www.oxleygroup.com							
	CHECKED	TOM WARD									
	APPROVED	MIKE TUCKER									
MATERIAL	-	DATE	13 MAY 2010	SIZE	A4	DO NOT SCALE	DRAWING No.	CP36039	ISS.	4	
FINISH	-	TYPE No.	ELED/1750/BP/-/H/-	SCALE	5 : 1	WEIGHT	SHEET	1 OF 1			
				TITLE				T1 3/4 MIDGET FLANGE SINGLE CHIP BI-POLAR LED BULB REPLACEMENT			