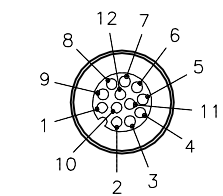


MALE END VIEW

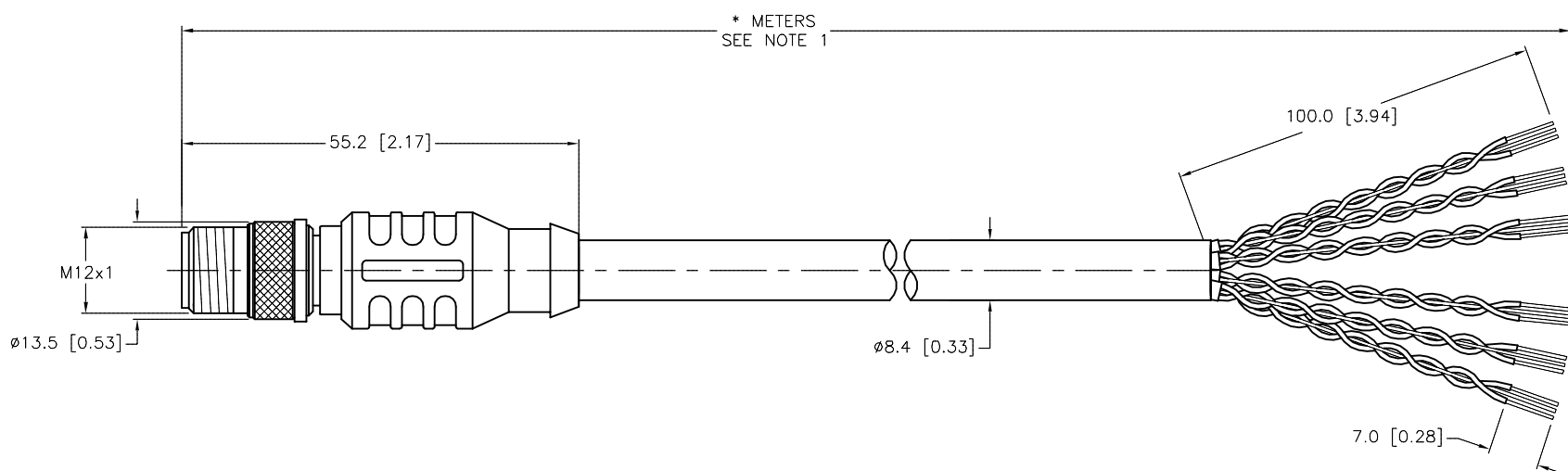


- 1 = YELLOW > TWISTED PAIR
- 2 = BLACK > TWISTED PAIR
- 3 = BLUE > TWISTED PAIR
- 4 = BLACK > TWISTED PAIR
- 5 = GREEN > TWISTED PAIR
- 6 = BLACK > TWISTED PAIR
- 7 = WHITE > TWISTED PAIR
- 8 = BLACK > TWISTED PAIR
- 9 = RED > TWISTED PAIR
- 10 = BLACK > TWISTED PAIR
- 11 = BROWN > TWISTED PAIR
- 12 = BLACK > TWISTED PAIR



SPECIFICATIONS

CONTACT CARRIER MATERIAL	NYLON OR TPU
MOLDED HEAD MATERIAL/COLOR	TPU/YELLOW
CONTACT MATERIAL/PLATING	BRASS/GOLD
COUPLING NUT MATERIAL/PLATING	BRASS/NICKEL
RATED CURRENT [A]	2.0 A
RATED VOLTAGE [V]	60 VAC/75 VDC
OUTER CABLE JACKET MATERIAL/COLOR	PVC/GREY
CONDUCTOR INSULATION MATERIAL	POLYETHYLENE
NUMBER OF CONDUCTORS [AWG]	12x24 AWG
DRAIN/SHIELD	6x24 AWG DRAIN/ALUMINUM FOIL SHIELD
CONDUCTOR ARRANGEMENT	6 SHIELDED TWISTED PAIRS W/DRAIN
TEMPERATURE RANGE	-40°C to +80°C (-40°F to +176°F)
PROTECTION CLASS	MEETS NEMA 1,3,4,6P AND IEC IP68



CABLE LENGTH	TOLERANCE*
ALL LENGTHS	+ 4% (OR 50mm) OF LENGTH - 0% (OR 0mm) OF LENGTH WHICHEVER IS GREATER
STRIP LENGTH	TOLERANCE*
0-7mm	±0.5mm
8-29mm	±1.0mm
30-49mm	±2.0mm
50-69mm	±3.0mm
70-100mm	±4.0mm
OVER 100mm	±5.0mm

* UNLESS OTHERWISE SPECIFIED

SOURCE DRAWING - FOR REFERENCE ONLY

- NOTES:
- "*" INDICATES CABLE LENGTH IN METERS. CONTACT TURCK TO ORDER SPECIFIC LENGTHS.
 - "/CS10741" DESIGNATES CABLE #10151071, SHIELDED-TWISTED PAIRS AND "E"-STYLE BODY.

RELATED DOCUMENTS	3RD ANGLE PROJECTION	THIS DRAWING IS CONFIDENTIAL AND THE PROPERTY OF TURCK INC. USE OF THIS DOCUMENT WITHOUT WRITTEN PERMISSION IS PROHIBITED.		3000 CAMPUS DRIVE MINNEAPOLIS, MN 55441 1-800-544-7769 (763) 553-7300 (763) 553-0708 fax turck.com	
1.		DRFT	RDS	DATE	10/02/03
2.		SCALE	1=1.0	DESCRIPTION	
3.	ALL DIMENSIONS DISPLAYED ON THIS DRAWING ARE FOR REFERENCE ONLY	UNIT OF MEASUREMENT		RSC 12T-*/CS10741	
4.		MILLIMETER [INCH]		IDENTIFICATION NO.	
MATERIAL	CONTACT TURCK FOR MORE INFORMATION	DO NOT SCALE THIS DRAWING		REV	
SEE SPECIFICATIONS		FILE: 777002616		D	
FINISH	SHEET 1 OF 1				

D	DRAWING PROCESSED AS PART OF ECO 33971	CBM	04/06/11	33971
REV	DESCRIPTION	BY	DATE	ECO NO.