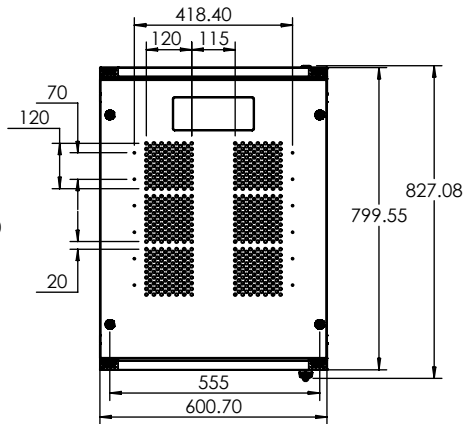
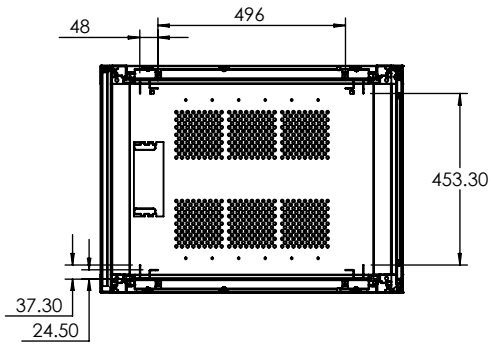


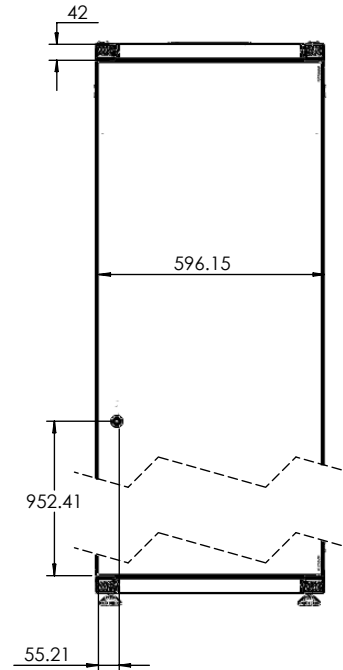
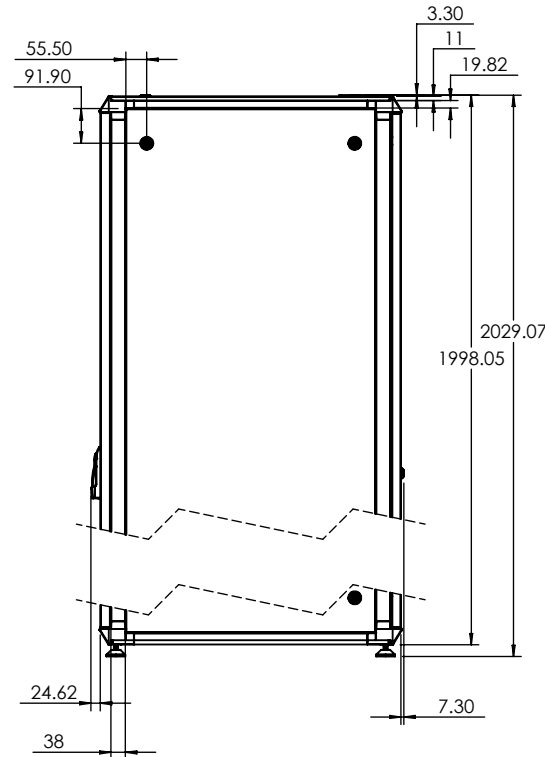
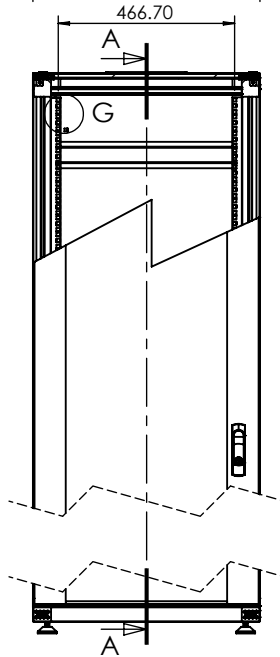
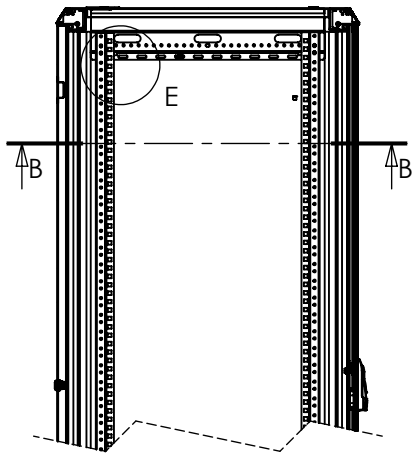
SECTION B-B



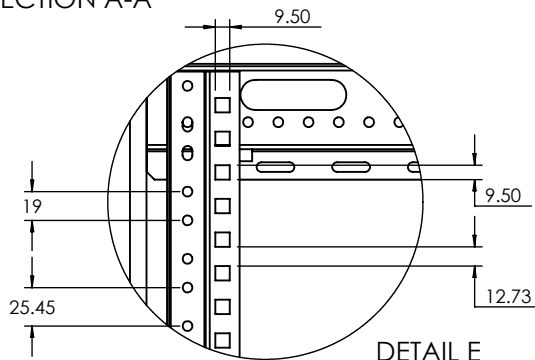
ISO VIEW
1:50



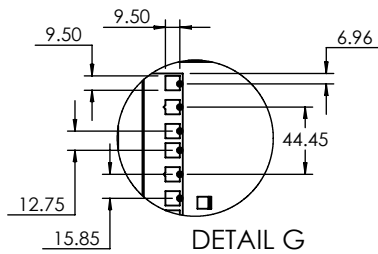
B



SECTION A-A



DETAIL E



DETAIL G

CAMDENBOSS
ELECTRONICS & ENCLOSURES

JAMES CARTER RD, MILDENHALL, SUFFOLK. IP28 7DE
TEL: 01638 716101 FAX: 01638 716554
EMAIL: Sales@CamdenBoss.com
WEB: www.CamdenBoss.com

UNLESS OTHERWISE SPECIFIED:
DIMENSIONS ARE IN MILLIMETERS

GENERAL TOLERANCES +/- 0.2

FINISH. PAINTED ANTHRACITE

MATERIAL. VAR

PROJECTION.

DO NOT SCALE DRAWING

REVISION.

○

TITLE:

DIMENSION DRAWING FOR
CAMRACK LX 42U 600x800

DWG NO.

CLX426801

A4

SCALE: 1:20

SHEET 1 OF 1

	NAME	SIGNED	DATE
DRAWN	IAN PAGANO	I.P.	06/05/14
CHKD	-	-	-