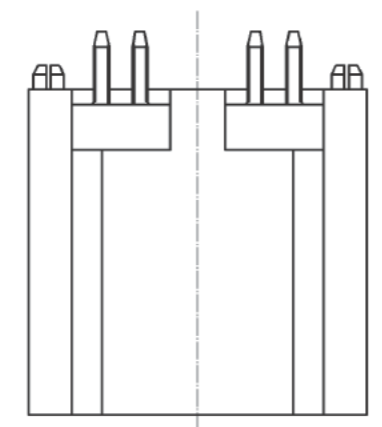
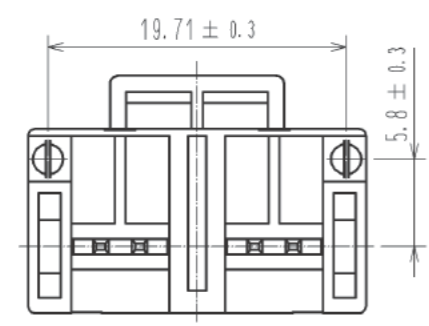
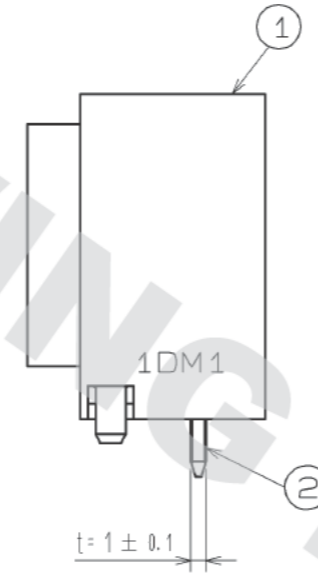
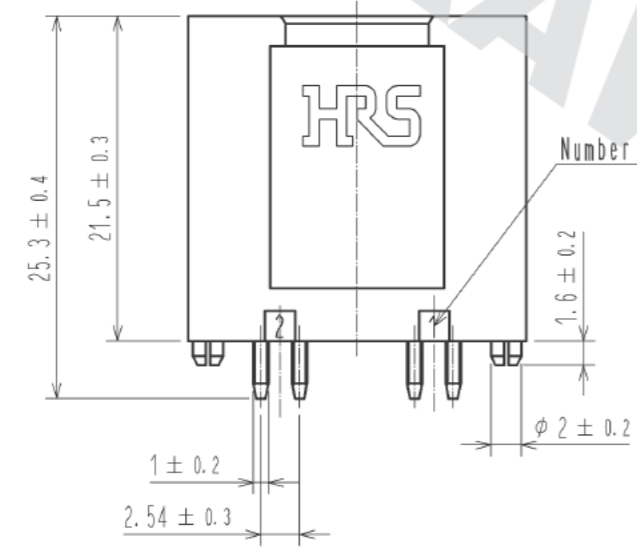
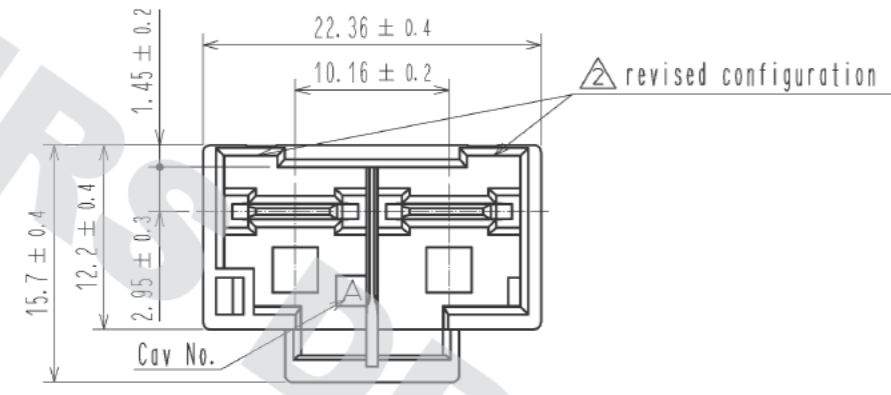
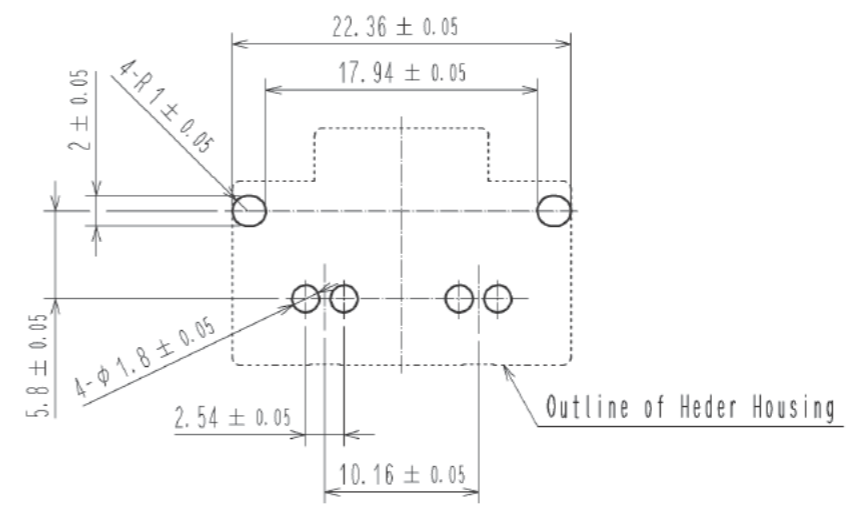


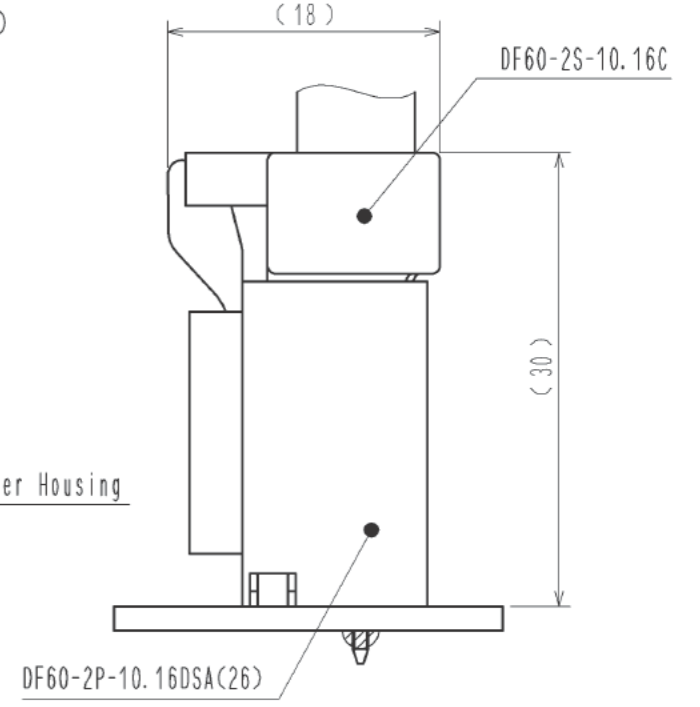
DRAWING FOR REFERENCE: This is subject to change without notice
05/31/2013



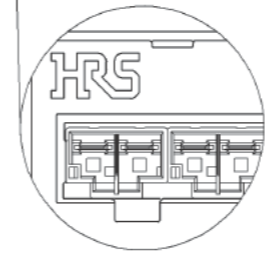
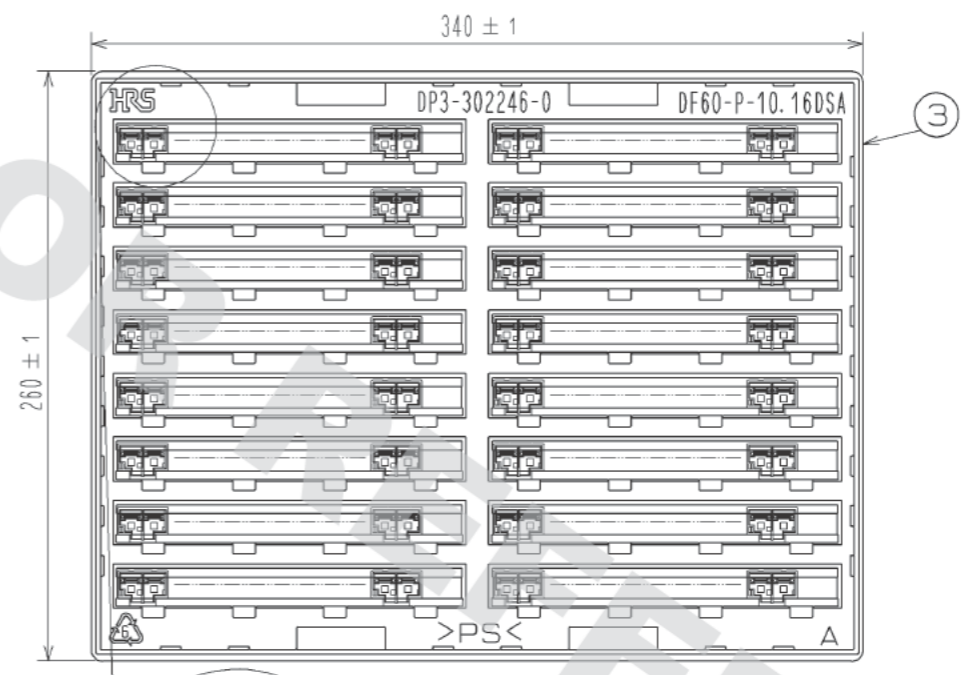
Recommended PCB Layout
(Board thickness: t=1.6±0.1mm)



Application Diagram



Packing Diagram (FREE)



1	PBT	Black, UL94-V0	3	PS	Clear		
2	Brass		2	Brass	Contact Area : Au Plating 0.2μm min LEAD Area : Tin Plating 1μm min Under Plating : Ni Plating 1μm min		
NO.	MATERIAL	FINISH . REMARKS	NO.	MATERIAL	FINISH . REMARKS		
UNITS mm		SCALE 2 : 1	COUNT 1	DESCRIPTION OF REVISIONS DIS-H-007366	DESIGNED SZ. ONO	CHECKED OM. MIYAMOTO	DATE 12. 11. 02
HRS HIROSE ELECTRIC CO., LTD.		APPROVED : KI. AKIYAMA 12. 05. 17	DRAWING NO. EDC3-338974-01				
		CHECKED : OM. MIYAMOTO 12. 05. 17	PART NO. DF60-2P-10.16DSA(26)				
		DESIGNED : SZ. ONO 12. 05. 16	CODE NO. CL680-3005-8-26				
		DRAWN : SZ. ONO 12. 05. 16					