


**UT 2,5/1P BU**

Order No.: 3045020



Feed-through terminal block, Connection method: Screw/plug-in connection, Cross section: 0.14 mm<sup>2</sup> - 4 mm<sup>2</sup>, AWG: 26 - 12, Width: 5.2 mm, Color: blue, Mounting type: NS 35/7.5, NS 35/15

**Commercial data**

EAN	 4 017918 975364
Pack	50
Customs tariff	85369010
Gross weight in pieces	7.44 g
Country of Origin	DE
Catalog page information	Page 282 (CL1-2011)

**Product notes**

WEEE/RoHS-compliant since:  
01/01/2003



Please note that the data given here has been taken from the online catalog. For comprehensive information and data, please refer to the user documentation at <http://www.download.phoenixcontact.com>. The General Terms and Conditions of Use apply to Internet downloads.

**Technical data****General**

Number of levels	1
Number of connections	2
Color	blue
Insulating material	PA
Inflammability class according to UL 94	V0

---

**Dimensions**

Width	5.2 mm
Length	47.6 mm
Height NS 35/7,5	47.5 mm
Height NS 35/15	55 mm

**Technical data**

Maximum load current	24 A
Rated surge voltage	6 kV
Pollution degree	3
Surge voltage category	III
Insulating material group	I
Connection in acc. with standard	IEC 61984
Nominal current $I_N$	24 A
Nominal voltage $U_N$	500 V
Open side panel	ja

**Connection data**

Conductor cross section solid min.	0.14 mm <sup>2</sup>
Conductor cross section solid max.	4 mm <sup>2</sup>
Conductor cross section AWG/kcmil min.	26
Conductor cross section AWG/kcmil max	12
Conductor cross section stranded min.	0.14 mm <sup>2</sup>
Conductor cross section stranded max.	4 mm <sup>2</sup>
Min. AWG conductor cross section, stranded	26
Max. AWG conductor cross section, stranded	12
Conductor cross section stranded, with ferrule without plastic sleeve min.	0.14 mm <sup>2</sup>
Conductor cross section stranded, with ferrule without plastic sleeve max.	2.5 mm <sup>2</sup>
Conductor cross section stranded, with ferrule with plastic sleeve min.	0.14 mm <sup>2</sup>
Conductor cross section stranded, with ferrule with plastic sleeve max.	2.5 mm <sup>2</sup>
2 conductors with same cross section, solid min.	0.14 mm <sup>2</sup>
2 conductors with same cross section, solid max.	1.5 mm <sup>2</sup>
2 conductors with same cross section, stranded min.	0.14 mm <sup>2</sup>

2 conductors with same cross section, stranded max.	1.5 mm <sup>2</sup>
2 conductors with same cross section, stranded, TWIN ferrules with plastic sleeve, min.	0.5 mm <sup>2</sup>
2 conductors with same cross section, stranded, TWIN ferrules with plastic sleeve, max.	1.5 mm <sup>2</sup>
2 conductors with same cross section, stranded, ferrules without plastic sleeve, min.	0.14 mm <sup>2</sup>
2 conductors with same cross section, stranded, ferrules without plastic sleeve, max.	1.5 mm <sup>2</sup>
Connection method	Screw/plug-in connection
Stripping length	9 mm
Internal cylindrical gage	A3
Screw thread	M3
Tightening torque, min	0.5 Nm
Tightening torque max	0.6 Nm

### Certificates



Certification

CSA, cULus Recognized, GOST

Certifications applied for:

Certification Ex:

### Accessories

Item	Designation	Description
<b>Assembly</b>		
3047167	ATP-UT	Partition plate, Length: 50 mm, Width: 2.2 mm, Height: 48 mm, Color: gray
3022218	CLIPFIX 35	Snap-on end bracket, for 35 mm NS 35/7.5 or NS 35/15 DIN rail, can be fitted with Zack strip ZB 8 and ZB 8/27, terminal strip marker KLM 2 and KLM, width: 9.5 mm, color: gray
3022276	CLIPFIX 35-5	Quick mounting end clamp for NS 35/7,5 DIN rail or NS 35/15 DIN rail, can be fitted with ZB 5 and ZBF 5 zack marker strip, KLM 2, KLM3, and KML3L terminal strip marker, parking option for FBS...5, FBS...6, KSS 5, KSS 6, width: 5.15 mm, color: gray

3047154	D-UT 2,5/1P	End cover, Length: 47.6 mm, Width: 2.2 mm, Height: 48.4 mm, Color: gray
0801704	NS 35/ 7,5 AL UNPERF 2000MM	DIN rail, material: Aluminum, unperforated, height 7.5 mm, width 35 mm, length: 2 m
1206560	NS 35/ 7,5 CAP	DIN rail end piece, for DIN rail NS 35/7.5
0801762	NS 35/ 7,5 CU UNPERF 2000MM	DIN rail, material: Copper, unperforated, height 7.5 mm, width 35 mm, length: 2 m
0801733	NS 35/ 7,5 PERF 2000MM	DIN rail, material: steel galvanized and passivated with a thick layer, perforated, height 7.5 mm, width 35 mm, length: 2000 mm
0801681	NS 35/ 7,5 UNPERF 2000MM	DIN rail, material: Steel, unperforated, height 7.5 mm, width 35 mm, length: 2 m
1204119	NS 35/ 7,5 WH PERF 2000MM	DIN rail 35 mm (NS 35)
1204122	NS 35/ 7,5 WH UNPERF 2000MM	DIN rail 35 mm (NS 35)
1206421	NS 35/ 7,5 ZN PERF 2000MM	DIN rail, material: Galvanized, perforated, height 7.5 mm, width 35 mm, length: 2 m
1206434	NS 35/ 7,5 ZN UNPERF 2000MM	DIN rail, material: Galvanized, unperforated, height 7.5 mm, width 35 mm, length: 2 m
1201756	NS 35/15 AL UNPERF 2000MM	DIN rail, deep drawn, high profile, unperforated, 1.5 mm thick, material: aluminum, height 15 mm, width 35 mm, length 2000 mm
1206573	NS 35/15 CAP	DIN rail end piece, for DIN rail NS 35/15
1201895	NS 35/15 CU UNPERF 2000MM	DIN rail, material: Copper, unperforated, 1.5 mm thick, height 15 mm, width 35 mm, length: 2 m
1201730	NS 35/15 PERF 2000MM	DIN rail, material: steel galvanized and passivated with a thick layer, perforated, height 15 mm, width 35 mm, length: 2000 mm
1201714	NS 35/15 UNPERF 2000MM	DIN rail, material: Steel, unperforated, height 15 mm, width 35 mm, length: 2 m
0806602	NS 35/15 WH PERF 2000MM	DIN rail 35 mm (NS 35)
1204135	NS 35/15 WH UNPERF 2000MM	DIN rail 35 mm (NS 35)
1206599	NS 35/15 ZN PERF 2000MM	DIN rail, material: Galvanized, perforated, height 15 mm, width 35 mm, length: 2 m
1206586	NS 35/15 ZN UNPERF 2000MM	DIN rail, material: Galvanized, unperforated, height 15 mm, width 35 mm, length: 2 m
1201798	NS 35/15-2,3 UNPERF 2000MM	DIN rail, material: Steel, unperforated, 2.3 mm thick, height 15 mm, width 35 mm, length: 2 m

### Bridges

3030161	FBS 2-5	Plug-in bridge, Number of positions: 2, Color: red
3030174	FBS 3-5	Plug-in bridge, Number of positions: 3, Color: red
3030187	FBS 4-5	Plug-in bridge, Number of positions: 4, Color: red
3030190	FBS 5-5	Plug-in bridge, Number of positions: 5, Color: red
3030213	FBS 10-5	Plug-in bridge, Number of positions: 10, Color: red

3030226	FBS 20-5	Plug-in bridge, Number of positions: 20, Color: red
3038930	FBS 50-5	Plug-in bridge, Number of positions: 50, Color: red
3047060	RB UT 10-(2,5/4)	Reducing bridge, Number of positions: 2, Color: red

#### General

0800886	E/NS 35 N	End clamp, width: 9.5 mm, color: gray
3060445	UT 2,5/1P-F	Screw flange, for screwing COMBI plugs, with the same structure and pitch as the relevant COMBI terminal blocks

#### Marking

0818108	UC-TM 5	Marker for terminal blocks, Sheet, white, Unlabeled, Can be labeled with: BLUEMARK CLED, Bluemark, Plotter, Mounting type: Snap into tall marker groove, For terminal block width: 5.2 mm, Lettering field: 10.5 x 4.6 mm
0824581	UC-TM 5 CUS	Marker for terminal blocks, Can be ordered: By sheet, white, Labeled according to customer specifications, Mounting type: Snap into tall marker groove, For terminal block width: 5.2 mm, Lettering field: 10.5 x 4.6 mm
0828734	UCT-TM 5	Marker for terminal blocks, Sheet, white, Unlabeled, Can be labeled with: Thermomark C+, Thermomark C, BLUEMARK CLED, Bluemark, Mounting type: Snap into tall marker groove, For terminal block width: 5.2 mm, Lettering field: 4.6 x 10.5 mm
0829595	UCT-TM 5 CUS	Marker for terminal blocks, Can be ordered: By sheet, white, Labeled according to customer specifications, Mounting type: Snap into tall marker groove, Lettering field: 4.6 x 10.5 mm
0811228	X-PEN 0,35	Marker pen without ink cartridge, for manual labeling of markers, labeling extremely wipe-proof, line thickness 0.35 mm
1050004	ZB 5 :UNBEDRUCKT	Zack marker strip, Strip, white, Unlabeled, Can be labeled with: Plotter, Mounting type: Snap into tall marker groove, For terminal block width: 5.2 mm, Lettering field: 5.1 x 10.5 mm
0824962	ZB 5 CUS	Zack marker strip, Can be ordered: Strip, white, Labeled according to customer specifications, Mounting type: Snap into tall marker groove, For terminal block width: 5.2 mm, Lettering field: 5.15 x 10.5 mm

#### Plug/Adapter

3036725	DP PS-5	Spacer plate, Color: red
0201731	MPS-IH BK	Insulating sleeve, Color: black
0201689	MPS-IH BU	Insulating sleeve, Color: blue
0201702	MPS-IH GN	Insulating sleeve, Color: green
0201728	MPS-IH GY	Insulating sleeve, Color: gray
0201676	MPS-IH RD	Insulating sleeve, Color: red
0201663	MPS-IH WH	Insulating sleeve, Color: white
0201692	MPS-IH YE	Insulating sleeve, Color: yellow

0201744	MPS-MT	Test plugs
3032871	PAI-4-N GY	Test adapter, Color: gray
3030983	PS-5	Test adapter, Color: red
3038723	PS-5/2,3MM RD	Test plugs, Color: red

#### Tools

1205053	SZS 0,6X3,5	Actuation tool, for ST terminal blocks, insulated, also suitable for use as a bladed screwdriver, size: 0.6 x 3.5 x 100 mm, 2-component grip, with non-slip grip
---------	-------------	--

#### Additional products

Item	Designation	Description
<b>Plug/Adapter</b>		
3040258	SP 2,5/ 1	Connectors, Connection method: Spring-cage connection, Number of positions: 1, Cross section: 0.08 mm <sup>2</sup> - 4 mm <sup>2</sup> , AWG: 28 - 12, Width: 5.2 mm, Height: 39 mm, Color: gray
3040698	SP 2,5/ 1 BU	Connectors, Connection method: Spring-cage connection, Number of positions: 1, Cross section: 0.08 mm <sup>2</sup> - 4 mm <sup>2</sup> , AWG: 28 - 12, Width: 5.2 mm, Height: 39 mm, Color: blue
3040708	SP 2,5/ 1 GNYE	Connectors, Connection method: Spring-cage connection, Number of positions: 1, Cross section: 0.08 mm <sup>2</sup> - 4 mm <sup>2</sup> , AWG: 28 - 12, Width: 5.2 mm, Height: 39 mm, Color: green-yellow
3040261	SP 2,5/ 2	Connectors, Connection method: Spring-cage connection, Number of positions: 2, Cross section: 0.08 mm <sup>2</sup> - 4 mm <sup>2</sup> , AWG: 28 - 12, Width: 10.4 mm, Height: 39 mm, Color: gray
3040274	SP 2,5/ 3	Connectors, Connection method: Spring-cage connection, Number of positions: 3, Cross section: 0.08 mm <sup>2</sup> - 4 mm <sup>2</sup> , AWG: 28 - 12, Width: 15.6 mm, Height: 39 mm, Color: gray
3040287	SP 2,5/ 4	Connectors, Connection method: Spring-cage connection, Number of positions: 4, Cross section: 0.08 mm <sup>2</sup> - 4 mm <sup>2</sup> , AWG: 28 - 12, Width: 20.8 mm, Height: 39 mm, Color: gray
3040290	SP 2,5/ 5	Connectors, Connection method: Spring-cage connection, Number of positions: 5, Cross section: 0.08 mm <sup>2</sup> - 4 mm <sup>2</sup> , AWG: 28 - 12, Width: 26 mm, Height: 39 mm, Color: gray
3040300	SP 2,5/ 6	Connectors, Connection method: Spring-cage connection, Number of positions: 6, Cross section: 0.08 mm <sup>2</sup> - 4 mm <sup>2</sup> , AWG: 28 - 12, Width: 31.2 mm, Height: 39 mm, Color: gray
3040313	SP 2,5/ 7	Connectors, Connection method: Spring-cage connection, Number of positions: 7, Cross section: 0.08 mm <sup>2</sup> - 4 mm <sup>2</sup> , AWG: 28 - 12, Width: 36.4 mm, Height: 39 mm, Color: gray
3040326	SP 2,5/ 8	Connectors, Connection method: Spring-cage connection, Number of positions: 8, Cross section: 0.08 mm <sup>2</sup> - 4 mm <sup>2</sup> , AWG: 28 - 12, Width: 41.6 mm, Height: 39 mm, Color: gray

3040339	SP 2,5/ 9	Connectors, Connection method: Spring-cage connection, Number of positions: 9, Cross section: 0.08 mm <sup>2</sup> - 4 mm <sup>2</sup> , AWG: 28 - 12, Width: 46.8 mm, Height: 39 mm, Color: gray
3040342	SP 2,5/10	Connectors, Connection method: Spring-cage connection, Number of positions: 10, Cross section: 0.08 mm <sup>2</sup> - 4 mm <sup>2</sup> , AWG: 28 - 12, Width: 52 mm, Height: 39 mm, Color: gray
3040355	SP 2,5/11	Connectors, Connection method: Spring-cage connection, Number of positions: 11, Cross section: 0.08 mm <sup>2</sup> - 4 mm <sup>2</sup> , AWG: 28 - 12, Width: 57.2 mm, Height: 39 mm, Color: gray
3040368	SP 2,5/12	Connectors, Connection method: Spring-cage connection, Number of positions: 12, Cross section: 0.08 mm <sup>2</sup> - 4 mm <sup>2</sup> , AWG: 28 - 12, Width: 62.4 mm, Height: 39 mm, Color: gray
3040371	SP 2,5/13	Connectors, Connection method: Spring-cage connection, Number of positions: 13, Cross section: 0.08 mm <sup>2</sup> - 4 mm <sup>2</sup> , AWG: 28 - 12, Width: 67.6 mm, Height: 39 mm, Color: gray
3040384	SP 2,5/14	Connectors, Connection method: Spring-cage connection, Number of positions: 14, Cross section: 0.08 mm <sup>2</sup> - 4 mm <sup>2</sup> , AWG: 28 - 12, Width: 72.8 mm, Height: 39 mm, Color: gray
3040397	SP 2,5/15	Connectors, Connection method: Spring-cage connection, Number of positions: 15, Cross section: 0.08 mm <sup>2</sup> - 4 mm <sup>2</sup> , AWG: 28 - 12, Width: 78 mm, Height: 39 mm, Color: gray
3040106	SPB 2,5/ 1	Connectors, Connection method: Spring-cage connection, Number of positions: 1, Cross section: 0.08 mm <sup>2</sup> - 4 mm <sup>2</sup> , AWG: 28 - 12, Width: 5.2 mm, Height: 39 mm, Color: gray
3040724	SPB 2,5/ 1 BU	Connectors, Connection method: Spring-cage connection, Number of positions: 1, Cross section: 0.08 mm <sup>2</sup> - 4 mm <sup>2</sup> , AWG: 28 - 12, Width: 5.2 mm, Height: 39 mm, Color: blue
3040711	SPB 2,5/ 1 GNYE	Connectors, Connection method: Spring-cage connection, Number of positions: 1, Cross section: 0.08 mm <sup>2</sup> - 4 mm <sup>2</sup> , AWG: 28 - 12, Width: 5.2 mm, Height: 39 mm, Color: green-yellow
3040119	SPB 2,5/ 2	Connectors, Connection method: Spring-cage connection, Number of positions: 2, Cross section: 0.08 mm <sup>2</sup> - 4 mm <sup>2</sup> , AWG: 28 - 12, Width: 10.4 mm, Height: 39 mm, Color: gray
3040122	SPB 2,5/ 3	Connectors, Connection method: Spring-cage connection, Number of positions: 3, Cross section: 0.08 mm <sup>2</sup> - 4 mm <sup>2</sup> , AWG: 28 - 12, Width: 15.6 mm, Height: 39 mm, Color: gray
3040135	SPB 2,5/ 4	Connectors, Connection method: Spring-cage connection, Number of positions: 4, Cross section: 0.08 mm <sup>2</sup> - 4 mm <sup>2</sup> , AWG: 28 - 12, Width: 20.8 mm, Height: 39 mm, Color: gray
3040143	SPB 2,5/ 5	Connectors, Connection method: Spring-cage connection, Number of positions: 5, Cross section: 0.08 mm <sup>2</sup> - 4 mm <sup>2</sup> , AWG: 28 - 12, Width: 26 mm, Height: 39 mm, Color: gray
3040151	SPB 2,5/ 6	Connectors, Connection method: Spring-cage connection, Number of positions: 6, Cross section: 0.08 mm <sup>2</sup> - 4 mm <sup>2</sup> , AWG: 28 - 12, Width: 31.2 mm, Height: 39 mm, Color: gray
3040164	SPB 2,5/ 7	Connectors, Connection method: Spring-cage connection, Number of positions: 7, Cross section: 0.08 mm <sup>2</sup> - 4 mm <sup>2</sup> , AWG: 28 - 12, Width: 36.4 mm, Height: 39 mm, Color: gray

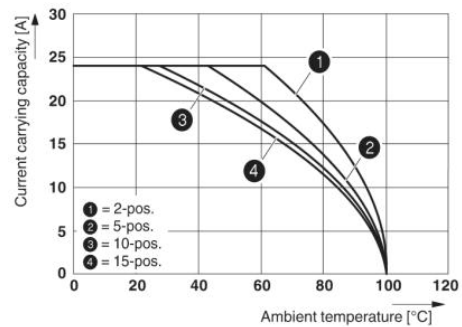
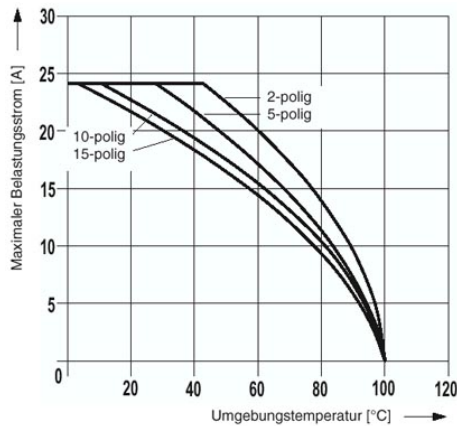
3040177	SPB 2,5/ 8	Connectors, Connection method: Spring-cage connection, Number of positions: 8, Cross section: 0.08 mm <sup>2</sup> - 4 mm <sup>2</sup> , AWG: 28 - 12, Width: 41.6 mm, Height: 39 mm, Color: gray
3040180	SPB 2,5/ 9	Connectors, Connection method: Spring-cage connection, Number of positions: 9, Cross section: 0.08 mm <sup>2</sup> - 4 mm <sup>2</sup> , AWG: 28 - 12, Width: 46.8 mm, Height: 39 mm, Color: gray
3040193	SPB 2,5/10	Connectors, Connection method: Spring-cage connection, Number of positions: 10, Cross section: 0.08 mm <sup>2</sup> - 4 mm <sup>2</sup> , AWG: 28 - 12, Width: 52 mm, Height: 39 mm, Color: gray
3040203	SPB 2,5/11	Connectors, Connection method: Spring-cage connection, Number of positions: 11, Cross section: 0.08 mm <sup>2</sup> - 4 mm <sup>2</sup> , AWG: 28 - 12, Width: 57.2 mm, Height: 39 mm, Color: gray
3040216	SPB 2,5/12	Connectors, Connection method: Spring-cage connection, Number of positions: 12, Cross section: 0.08 mm <sup>2</sup> - 4 mm <sup>2</sup> , AWG: 28 - 12, Width: 62.4 mm, Height: 39 mm, Color: gray
3040229	SPB 2,5/13	Connectors, Connection method: Spring-cage connection, Number of positions: 13, Cross section: 0.08 mm <sup>2</sup> - 4 mm <sup>2</sup> , AWG: 28 - 12, Width: 67.6 mm, Height: 39 mm, Color: gray
3040232	SPB 2,5/14	Connectors, Connection method: Spring-cage connection, Number of positions: 14, Cross section: 0.08 mm <sup>2</sup> - 4 mm <sup>2</sup> , AWG: 28 - 12, Width: 72.8 mm, Height: 39 mm, Color: gray
3040245	SPB 2,5/15	Connectors, Connection method: Spring-cage connection, Number of positions: 15, Cross section: 0.08 mm <sup>2</sup> - 4 mm <sup>2</sup> , AWG: 28 - 12, Width: 78 mm, Height: 39 mm, Color: gray
3045145	UPBV 2,5/ 1	Connectors, Connection method: Screw connection, Number of positions: 1, Cross section: 0.14 mm <sup>2</sup> - 4 mm <sup>2</sup> , AWG: 26 - 12, Width: 5.2 mm, Height: 47 mm, Color: gray
3045240	UPBV 2,5/ 1 BU	Connectors, Connection method: Screw connection, Number of positions: 1, Cross section: 0.14 mm <sup>2</sup> - 4 mm <sup>2</sup> , AWG: 26 - 12, Width: 5.2 mm, Height: 47 mm, Color: blue
3045253	UPBV 2,5/ 1 GNYE	Connectors, Connection method: Screw connection, Number of positions: 1, Cross section: 0.14 mm <sup>2</sup> - 4 mm <sup>2</sup> , AWG: 26 - 12, Width: 5.2 mm, Height: 47 mm, Color: green-yellow
3045318	UPBV 2,5/ 1-L	Connectors, Connection method: Screw connection, Number of positions: 1, Cross section: 0.14 mm <sup>2</sup> - 4 mm <sup>2</sup> , AWG: 26 - 12, Width: 5.2 mm, Height: 47 mm, Color: gray
3045321	UPBV 2,5/ 1-L BU	Connectors, Connection method: Screw connection, Number of positions: 1, Cross section: 0.14 mm <sup>2</sup> - 4 mm <sup>2</sup> , AWG: 26 - 12, Width: 5.2 mm, Height: 47 mm, Color: blue
3045334	UPBV 2,5/ 1-L GNYE	Connectors, Connection method: Screw connection, Number of positions: 1, Cross section: 0.14 mm <sup>2</sup> - 4 mm <sup>2</sup> , AWG: 26 - 12, Width: 5.2 mm, Height: 47 mm, Color: green-yellow
3045347	UPBV 2,5/ 1-M	Connectors, Connection method: Screw connection, Number of positions: 1, Cross section: 0.14 mm <sup>2</sup> - 4 mm <sup>2</sup> , AWG: 26 - 12, Width: 5.2 mm, Height: 47 mm, Color: gray
3045350	UPBV 2,5/ 1-M BU	Connectors, Connection method: Screw connection, Number of positions: 1, Cross section: 0.14 mm <sup>2</sup> - 4 mm <sup>2</sup> , AWG: 26 - 12, Width: 5.2 mm, Height: 47 mm, Color: blue

3045363	UPBV 2,5/ 1-M GNYE	Connectors, Connection method: Screw connection, Number of positions: 1, Cross section: 0.14 mm <sup>2</sup> - 4 mm <sup>2</sup> , AWG: 26 - 12, Width: 5.2 mm, Height: 47 mm, Color: green-yellow
3045376	UPBV 2,5/ 1-R	Connectors, Connection method: Screw connection, Number of positions: 1, Cross section: 0.14 mm <sup>2</sup> - 4 mm <sup>2</sup> , AWG: 26 - 12, Width: 5.2 mm, Height: 47 mm, Color: gray
3045389	UPBV 2,5/ 1-R BU	Connectors, Connection method: Screw connection, Number of positions: 1, Cross section: 0.14 mm <sup>2</sup> - 4 mm <sup>2</sup> , AWG: 26 - 12, Width: 5.2 mm, Height: 47 mm, Color: blue
3045392	UPBV 2,5/ 1-R GNYE	Connectors, Connection method: Screw connection, Number of positions: 1, Cross section: 0.14 mm <sup>2</sup> - 4 mm <sup>2</sup> , AWG: 26 - 12, Width: 5.2 mm, Height: 47 mm, Color: green-yellow
3045402	UPBV 2,5/ 2	Connectors, Connection method: Screw connection, Number of positions: 2, Cross section: 0.14 mm <sup>2</sup> - 4 mm <sup>2</sup> , AWG: 26 - 12, Width: 10.4 mm, Height: 47 mm, Color: gray
3045415	UPBV 2,5/ 3	Connectors, Connection method: Screw connection, Number of positions: 3, Cross section: 0.14 mm <sup>2</sup> - 4 mm <sup>2</sup> , AWG: 26 - 12, Width: 15.6 mm, Height: 47 mm, Color: gray
3045428	UPBV 2,5/ 4	Connectors, Connection method: Screw connection, Number of positions: 4, Cross section: 0.14 mm <sup>2</sup> - 4 mm <sup>2</sup> , AWG: 26 - 12, Width: 20.8 mm, Height: 47 mm, Color: gray
3045431	UPBV 2,5/ 5	Connectors, Connection method: Screw connection, Number of positions: 5, Cross section: 0.14 mm <sup>2</sup> - 4 mm <sup>2</sup> , AWG: 26 - 12, Width: 26 mm, Height: 47 mm, Color: gray
3045444	UPBV 2,5/ 6	Connectors, Connection method: Screw connection, Number of positions: 6, Cross section: 0.14 mm <sup>2</sup> - 4 mm <sup>2</sup> , AWG: 26 - 12, Width: 31.2 mm, Height: 47 mm, Color: gray
3045457	UPBV 2,5/ 7	Connectors, Connection method: Screw connection, Number of positions: 7, Cross section: 0.14 mm <sup>2</sup> - 4 mm <sup>2</sup> , AWG: 26 - 12, Width: 36.4 mm, Height: 47 mm, Color: gray
3045460	UPBV 2,5/ 8	Connectors, Connection method: Screw connection, Number of positions: 8, Cross section: 0.14 mm <sup>2</sup> - 4 mm <sup>2</sup> , AWG: 26 - 12, Width: 41.6 mm, Height: 47 mm, Color: gray
3045473	UPBV 2,5/ 9	Connectors, Connection method: Screw connection, Number of positions: 9, Cross section: 0.14 mm <sup>2</sup> - 4 mm <sup>2</sup> , AWG: 26 - 12, Width: 46.8 mm, Height: 47 mm, Color: gray
3045499	UPBV 2,5/10	Connectors, Connection method: Screw connection, Number of positions: 10, Cross section: 0.14 mm <sup>2</sup> - 4 mm <sup>2</sup> , AWG: 26 - 12, Width: 52 mm, Height: 47 mm, Color: gray
3045509	UPBV 2,5/11	Connectors, Connection method: Screw connection, Number of positions: 11, Cross section: 0.14 mm <sup>2</sup> - 4 mm <sup>2</sup> , AWG: 26 - 12, Width: 57.2 mm, Height: 47 mm, Color: gray
3045512	UPBV 2,5/12	Connectors, Connection method: Screw connection, Number of positions: 12, Cross section: 0.14 mm <sup>2</sup> - 4 mm <sup>2</sup> , AWG: 26 - 12, Width: 62.4 mm, Height: 47 mm, Color: gray
3045525	UPBV 2,5/13	Connectors, Connection method: Screw connection, Number of positions: 13, Cross section: 0.14 mm <sup>2</sup> - 4 mm <sup>2</sup> , AWG: 26 - 12, Width: 67.6 mm, Height: 47 mm, Color: gray

3045538	UPBV 2,5/14	Connectors, Connection method: Screw connection, Number of positions: 14, Cross section: 0.14 mm <sup>2</sup> - 4 mm <sup>2</sup> , AWG: 26 - 12, Width: 72.8 mm, Height: 47 mm, Color: gray
3045541	UPBV 2,5/15	Connectors, Connection method: Screw connection, Number of positions: 15, Cross section: 0.14 mm <sup>2</sup> - 4 mm <sup>2</sup> , AWG: 26 - 12, Width: 78 mm, Height: 47 mm, Color: gray

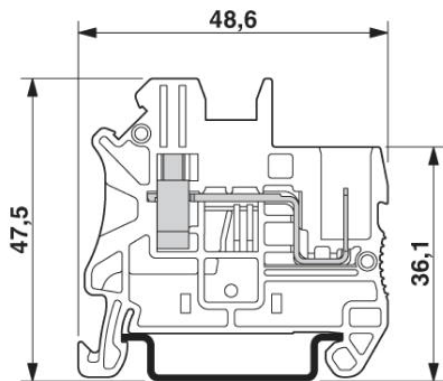
## Drawings

### Diagram



The figure shows the derating curve of the UT 2,5/1P... terminal block in connection with the UPBV 2,5 connector

### Dimensioned drawing



### Circuit diagram



---

**Address**

PHOENIX CONTACT Ltd  
Halesfield 13  
Telford / Shropshire / TF7 4PG,England  
Phone 01952 681 700  
Fax 01952 681 799  
<http://www.phoenixcontact.co.uk>



Phoenix Contact Ltd.  
Technical modifications reserved;