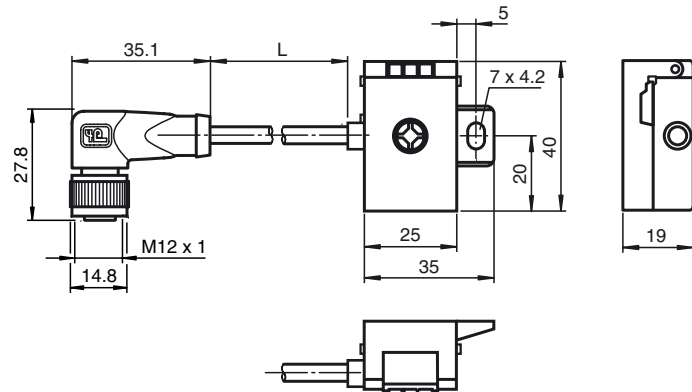




Dimensions



Model Number

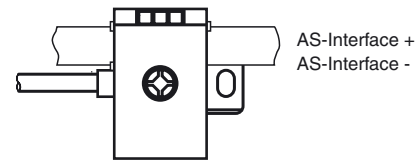
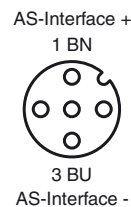
VAZ-T1-FK-2M-PUR-V1-W

Splitter box AS-Interface to 1x M12 round connector

Features

- Compact design
- Fixing component with captive screw
- Simple and fast mounting
- Gold plated contacts
- Housing made of fibre optics-reinforced plastic
- Oil and abrasion resistant PUR line appropriate for conveyor chains
- Immunity to vibration
- Reverse polarity protected and yellow marking for AS-Interface flat cable

Electrical connection



Technical data

General specifications

| | |
|-------------------|--|
| Construction type | Socket, angled flat cable terminal AS-Interface |
|-------------------|--|

Electrical specifications

| | |
|---------------------------|--|
| Rated operational voltage | $U_e \leq 35 \text{ V PELV}$ (AS-Interface) |
| Rated operational current | $I_e \leq 4 \text{ A}$ |
| Overtoltage protection | U_o : Over voltage category III, safe isolated power supplies (PELV) |

Ambient conditions

| | |
|---------------------|-------------------------------|
| Ambient temperature | -25 ... 75 °C (248 ... 348 K) |
| Storage temperature | -25 ... 85 °C (248 ... 358 K) |
| Degree of soiling | 3 |

Mechanical specifications

| | |
|-------------------|--|
| Protection degree | IP67 / IP68 / IP69K |
| Connection | AS-Interface flat cable: Insulation penetration technology Plug connection: M12 socket x 1 (V1) |

| | |
|----------|---------------------|
| Material | |
| Housing | PA 66-GF25 Ultramid |
| Handle | PUR, black |
| Cable | PUR |

| | |
|----------------------------------|--------------------------|
| Cable | |
| Sheath diameter | Ø4.8 mm |
| Colour | grey |
| Cores | 2 x 0.34 mm ² |
| Length | L 2 m |
| Mass | 90 g |
| Tightening torque, fixing screws | 1.65 Nm |

Compliance with standards and directives

| | |
|---------------------|----------|
| Standard conformity | |
| Protection degree | EN 60529 |