

ZEICHNUNG GESCHÜTZT DURCH
 ©COPYRIGHT 1988
 AMP DEUTSCHLAND GMBH
 ALLE RECHTE VORBEHALTEN

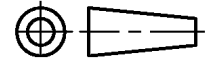
REV.	ÄNDERUNG	DATUM	NAME
2	ZEICHNUNG IN EUROPEAN PROJECTION GEÄNDERT	30.11.90	A.HO
3	LÖTLÄNGE VON 3 IN 3.1 GEÄNDERT	12.03.92	A.HO
C	VERPACKUNGSANGABE HINZU	15.01.96	F.RDT
C1	NOTE 3 CHANGED FROM SnPb into Sn	29.03.06	K.-H. HESS

DO NOT SCALE

DIMENSIONS IN mm

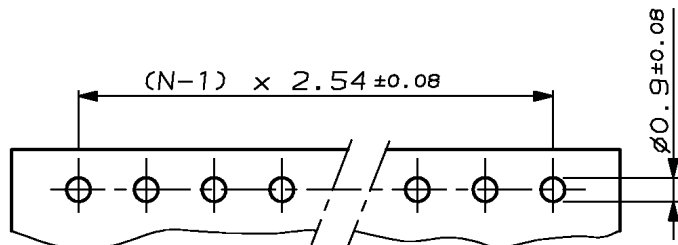
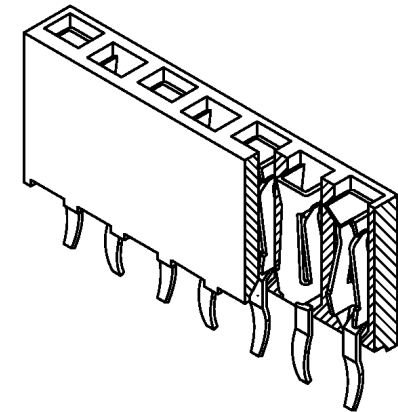
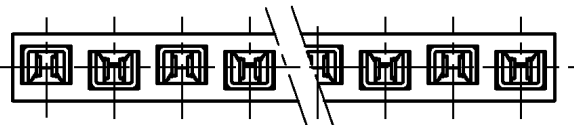
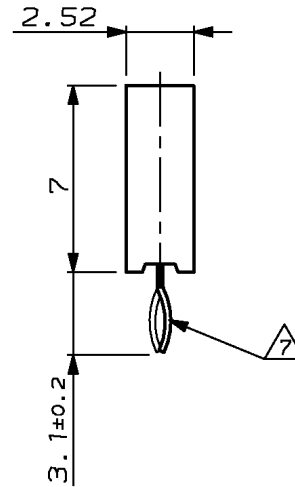
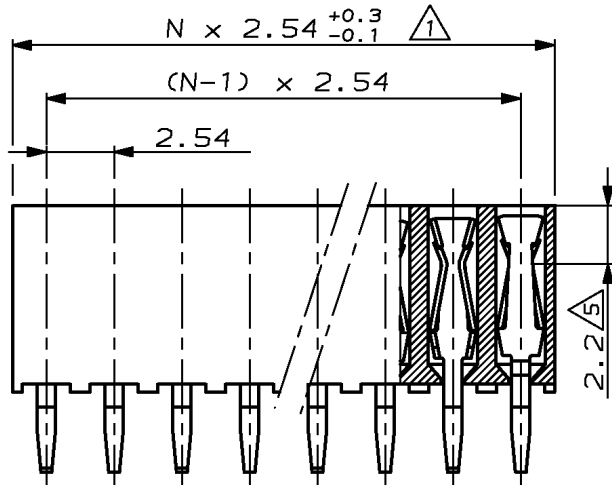
METRIC

EUROPEAN
 PROJECTION



NOTES:

1. TO DETERMINE DIMENSIONS TAKE N = NR. OF POS.
 FOR EXAMPLE: 10 POS.: $N \times 2,54 = 25,4$ mm.
 FOR ORDERNR. USE BASIC NR. + NR. OF POS.
 FOR EXAMPLE: 2 POS. = 215 297-2 (SHORTEST VERSION)
 36 POS. = 3-215 297-6 (LONGEST VERSION)
2. HOUSING MATERIAL: GREEN GLASSFILLED POLYESTER,
 UL 94V-0
 CONTACT MATERIAL: PHOSPHORBRONZE.
3. PLATING: UNDERCOATING: 1,3µm Ni.
 AT CONT.PLACE: 0,8µm Au.
 AT SOLDER-TYNES: MIN. 2,5µm Sn
4. MATES WITH 0,63 SQUARE/ROUND MODU POSTS.
5. CONTACT-POINT.
6. RECOMMENDED P.C.BOARD-THICKNESS: 1,6.
7. RETENTION FEATURE.
8. HV100 CONNECTOR PACKED IN ANTISTATIC BLISTER



P.C.-BOARD HOLE-PATTERN

NICHT TOLERIERTE MASSE	CHK.	DATE
± 0.1	W.SIMONS	
± -		
MASSTAB	5:1	

VERWENDET FÜR E 92-9803	SEE NOTES FINISH	SEE NOTES MATERIAL	SEE NOTES PARTNUMBER
CUSTOMER DRAWING	AMP AMP-HOLLAND B.V. 's-Hertogenbosch, The Netherlands.		
FOR REFERENCE ONLY WILL NOT BE UPDATED	THIS DRAWING IS UNPUBLISHED RELEASED FOR PUBLICATION 8.5.1987 © COPYRIGHT 1987 BY AMP-HOLLAND B.V. ALL INTERNATIONAL RIGHTS RESERVED. AMP PRODUCTS MAY BE COVERED BY U.S. AND FOREIGN PATENTS AND/OR PATENTS PENDING.		
DR. R.VISSER	DATE 08.05.87	WIRE RANGE -	NAME HV 100 VERTICAL CONNECTOR
APP. L.v.SOEST	DATE	INSUL.RANGE -	SINGLE ROW, 7,0mm HEIGHT, TOP ENTRY, GOLD, MAX. 36 POSITIONS.
		SIZE A3	SHEET 1 OF 1
		DWG. No.	215 297
		REV.DATE	D M Y
		REV.LTR.	C1

8 | 7 | 6 | 5 | 4 | 3 | 2 | 1