

# Sensor/actuator connector - SACC-M12MS-4QO-0,75-VA - 1440779

Please be informed that the data shown in this PDF Document is generated from our Online Catalog. Please find the complete data in the user's documentation. Our General Terms of Use for Downloads are valid (<http://phoenixcontact.com/download>)



Sensor/actuator connector, Universal, 4-position, Plug straight M12, A-coded, Insulation displacement connection, Knurl material: High-grade steel, External cable diameter 4 mm ... 8 mm

## Why buy this product

- Safe use in the field, thanks to a high degree of protection
- Flexible: connectors for on-site assembly
- Insulation displacement connection: innovative and time-saving assembly without stripping the single wire



## Key commercial data

Packing unit	1 pc
GTIN	 4 046356 517010
Weight per Piece (excluding packing)	15.6 g
Custom tariff number	85366990
Country of origin	Germany

## Technical data

### Dimensions

Wrench size, union nut	15 mm
External diameter	4 mm ... 8 mm

### Ambient conditions

Ambient temperature (operation)	-25 °C ... 80 °C (Plug / socket)
Ambient temperature (assembly)	-5 °C ... 50 °C (During assembly)
Degree of protection	IP65
	IP67

### General

Rated current at 40°C	4 A
Rated voltage	250 V
Number of positions	4
Contact resistance	≤ 5 mΩ

# Sensor/actuator connector - SACC-M12MS-4QO-0,75-VA - 1440779

## Technical data

### General

Insulation resistance	≥ 100 MΩ
Coding	A - standard
Standards/regulations	M12 connector IEC 61076-2-101
Signal type/category	Universal
Status display	No
Surge voltage category	II
Pollution degree	3
Connection method	Insulation displacement connection
Conductor cross section	0.34 mm <sup>2</sup> ... 0.75 mm <sup>2</sup>
AWG conductor cross section	22 ... 18
Wire diameter including insulation	1.3 mm ... 2.6 mm
Frequency of connections between conductors of the same cross section	10
Wire insulation material	PVC / PE / PP / rubber
Structure of individual litz in acc. with VDE 0295 / smallest wire diameter	Class 2-6
Insertion/withdrawal cycles	≥ 100
Torque	0.4 Nm (M12 knurl)
	1.5 Nm (Pressure nut)
Assembly instructions	AWG 18 wire cross section upon request

### Material

Inflammability class according to UL 94	V0
Contact material	CuSn
Contact surface material	Ni/Au
Contact carrier material	TPU
Material of grip body	PA 6
Material, knurls	High-grade steel
Sealing material	Neoprene (Cable clamping)

## Classifications

### eCl@ss

eCl@ss 4.0	272607xx
eCl@ss 4.1	27260701
eCl@ss 5.0	27260701
eCl@ss 5.1	27260701
eCl@ss 6.0	27279220
eCl@ss 7.0	27440103
eCl@ss 8.0	27440104

### ETIM

ETIM 3.0	EC002061
----------	----------

# Sensor/actuator connector - SACC-M12MS-4QO-0,75-VA - 1440779

## Classifications

### ETIM

ETIM 4.0	EC002061
ETIM 5.0	EC002062

### UNSPSC

UNSPSC 6.01	31261501
UNSPSC 7.0901	31261501
UNSPSC 11	31261501
UNSPSC 12.01	31261501
UNSPSC 13.2	31261501

## Approvals

### Approvals

---

Approvals

GL / EAC

---

Ex Approvals

---

Approvals submitted

---

### Approval details

GL
----

EAC
-----

## Accessories

Accessories

Screwdriver tools

Adapter - SAC BIT M12-W14 - 1212513



SAC nut, for assembling M12 connectors with hexagonal high-grade steel knurl, with 4 mm hexagonal drive

## Sensor/actuator connector - SACC-M12MS-4QO-0,75-VA - 1440779

### Accessories

Adapter insert - TSD-M SAC-BIT ADAPTER - 1212600



Adapter bit for TSD-M...torque tools, E6.3-1/4" drive with 4 mm hexagon to accommodate SAC bits

---

### Socket spanner

Socket wrench - QSS 15 - 1641992



Allen wrench, for loosening and fastening the QUICKON union nut, WAF 15 mm

---

### Torque tool

Torque screwdriver - TSD 04 SAC - 1208429



Torque screwdriver, with preset torque of 0.4 Nm and 4 mm hexagonal drive for M12 connectors

---

Torque screwdriver - TSD-M 1,2NM - 1212224



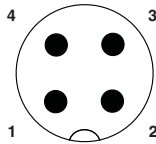
Torque screw driver, accuracy as per EN ISO 6789 standard, adjustable from 0.3 - 1.2 Nm

---

### Drawings

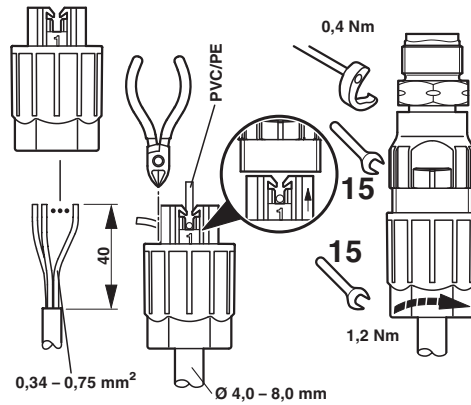
# Sensor/actuator connector - SACC-M12MS-4QO-0,75-VA - 1440779

Schematic diagram

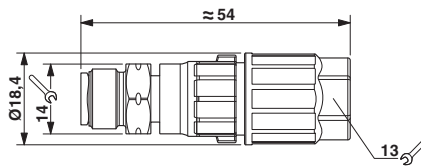


Pin assignment M12 plug, 4-pos., A-coded, view plug side

Functional drawing



Dimensioned drawing



M12 plug, straight,  
QUICKON connection: 0.34 mm<sup>2</sup> ... 0.75 mm<sup>2</sup>