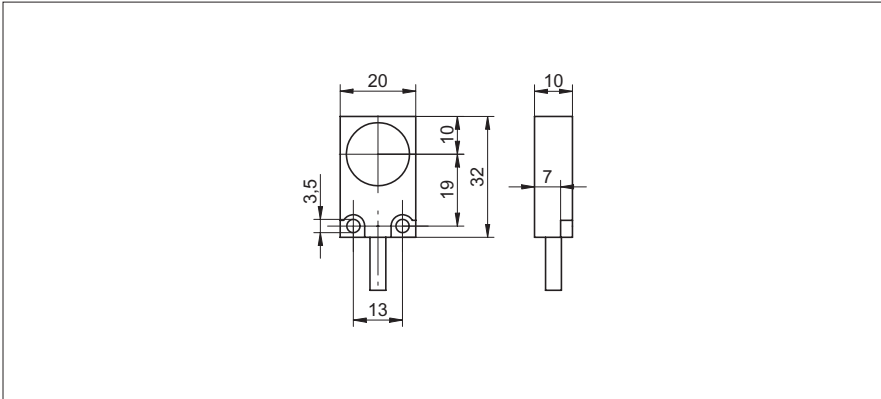


Inductive sensor

IFFM 20P1501

dimension drawing



Mat.-No.: 10224069

- voltage supply range 10 ... 50 VDC

general data

mounting type	shielded
nominal sensing distance S_n	5 mm
hysteresis	3 ... 20 % of S_r

electrical data

switching frequency	< 1 kHz
voltage supply range +Vs	10 ... 50 VDC
current consumption max.	10 mA
output circuit	PNP normally open (NO)
voltage drop Vd	< 3 VDC
output current	< 200 mA
short circuit protection	yes
reverse polarity protection	yes

mechanical data

type	rectangular
material (sensing face)	PBT
housing material	brass nickel plated
dimension	20 mm
housing length	32 mm
connection types	cable, jacket: PVC \varnothing 4,3 mm, wire: 3 x 0,25 mm ² , length: 2 m

ambient conditions

operating temperature	-25 ... +75 °C
protection class	IP 67

connection diagram

