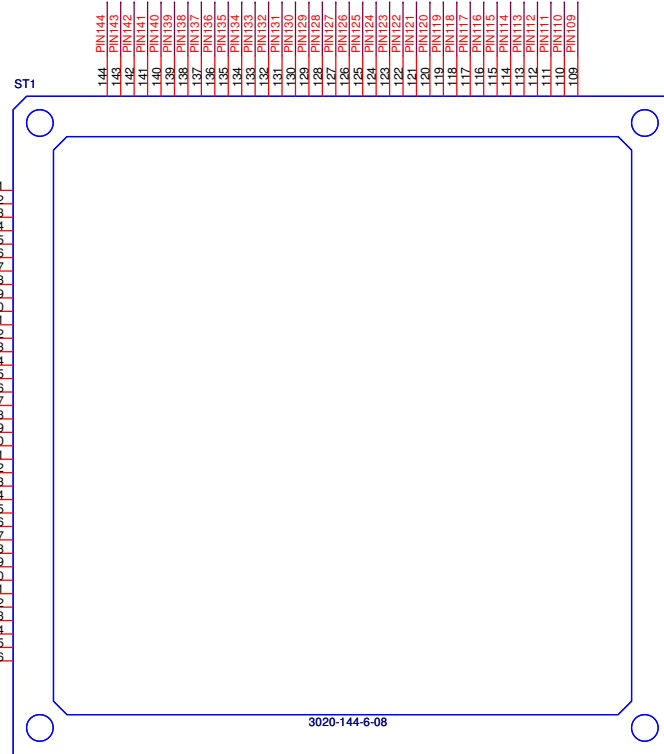


PIN72	1	2	PIN1
PIN71	3	4	PIN2
PIN70	5	6	PIN3
PIN69	7	8	PIN4
PIN68	9	10	PIN5
PIN67	11	12	PIN6
PIN66	13	14	PIN7
PIN65	15	16	PIN8
PIN64	17	18	PIN9
PIN63	19	20	PIN10
PIN62	21	22	PIN11
PIN61	23	24	PIN12
PIN60	25	26	PIN13
PIN59	27	28	PIN14
PIN58	29	30	PIN15
PIN57	31	32	PIN16
PIN56	33	34	PIN17
PIN55	35	36	PIN18
PIN54	37	38	PIN19
PIN53	39	40	PIN20
PIN52	41	42	PIN21
PIN51	43	44	PIN22
PIN50	45	46	PIN23
PIN49	47	48	PIN24
PIN48	49	50	PIN25
PIN47	51	52	PIN26
PIN46	53	54	PIN27
PIN45	55	56	PIN28
PIN44	57	58	PIN29
PIN43	59	60	PIN30
PIN42	61	62	PIN31
PIN41	63	64	PIN32
PIN40	65	66	PIN33
PIN39	67	68	PIN34
PIN38	69	70	PIN35
PIN37	71	72	PIN36
GND	73	74	GND
GND	75	76	GND
GND	77	78	GND
GND	79	80	GND

FSI-140-03-G-D-AD

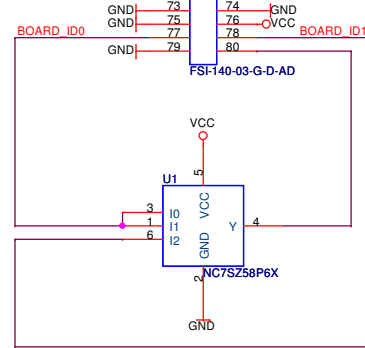
PIN1	1
PIN2	2
PIN3	3
PIN4	4
PIN5	5
PIN6	6
PIN7	7
PIN8	8
PIN9	9
PIN10	10
PIN11	11
PIN12	12
PIN13	13
PIN14	14
PIN15	15
PIN16	16
PIN17	17
PIN18	18
PIN19	19
PIN20	20
PIN21	21
PIN22	22
PIN23	23
PIN24	24
PIN25	25
PIN26	26
PIN27	27
PIN28	28
PIN29	29
PIN30	30
PIN31	31
PIN32	32
PIN33	33
PIN34	34
PIN35	35
PIN36	36



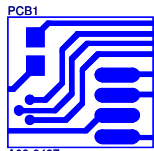
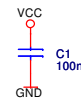
PIN37	37
PIN38	38
PIN39	39
PIN40	40
PIN41	41
PIN42	42
PIN43	43
PIN44	44
PIN45	45
PIN46	46
PIN47	47
PIN48	48
PIN49	49
PIN50	50
PIN51	51
PIN52	52
PIN53	53
PIN54	54
PIN55	55
PIN56	56
PIN57	57
PIN58	58
PIN59	59
PIN60	60
PIN61	61
PIN62	62
PIN63	63
PIN64	64
PIN65	65
PIN66	66
PIN67	67
PIN68	68
PIN69	69
PIN70	70
PIN71	71
PIN72	72

108	PIN108
107	PIN107
106	PIN106
105	PIN105
104	PIN104
103	PIN103
102	PIN102
101	PIN101
100	PIN100
99	PIN99
98	PIN98
97	PIN97
96	PIN96
95	PIN95
94	PIN94
93	PIN93
92	PIN92
91	PIN91
90	PIN90
89	PIN89
88	PIN88
87	PIN87
86	PIN86
85	PIN85
84	PIN84
83	PIN83
82	PIN82
81	PIN81
80	PIN80
79	PIN79
78	PIN78
77	PIN77
76	PIN76
75	PIN75
74	PIN74
73	PIN73

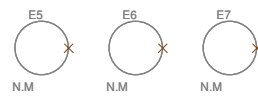
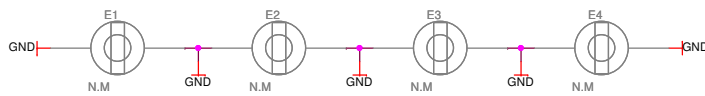
PIN144	1	2	PIN73
PIN143	3	4	PIN74
PIN142	5	6	PIN75
PIN141	7	8	PIN76
PIN140	9	10	PIN77
PIN139	11	12	PIN78
PIN138	13	14	PIN79
PIN137	15	16	PIN80
PIN136	17	18	PIN81
PIN135	19	20	PIN82
PIN134	21	22	PIN83
PIN133	23	24	PIN84
PIN132	25	26	PIN85
PIN131	27	28	PIN86
PIN130	29	30	PIN87
PIN129	31	32	PIN88
PIN128	33	34	PIN89
PIN127	35	36	PIN90
PIN126	37	38	PIN91
PIN125	39	40	PIN92
PIN124	41	42	PIN93
PIN123	43	44	PIN94
PIN122	45	46	PIN95
PIN121	47	48	PIN96
PIN120	49	50	PIN97
PIN119	51	52	PIN98
PIN118	53	54	PIN99
PIN117	55	56	PIN100
PIN116	57	58	PIN101
PIN115	59	60	PIN102
PIN114	61	62	PIN103
PIN113	63	64	PIN104
PIN112	65	66	PIN105
PIN111	67	68	PIN106
PIN110	69	70	PIN107
PIN109	71	72	PIN108
GND	73	74	GND
GND	75	76	GND
GND	77	78	GND
GND	79	80	GND



ID: 0x06 BOARD\_ID5= A XOR B



A08-0497



ATMEL Norway AS Vestre Rosten 79 N-7075 TILLER Norway			
Title: STK600-TQFP144			
Size: A3	Document Number: <Doc>	Rev: A	
Date: Tuesday, March 18, 2008	Sheet: 1	of: 1	