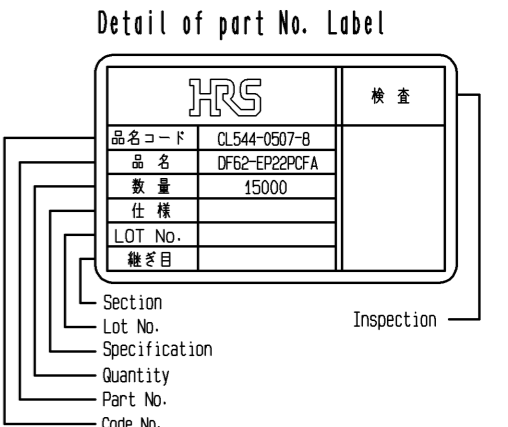
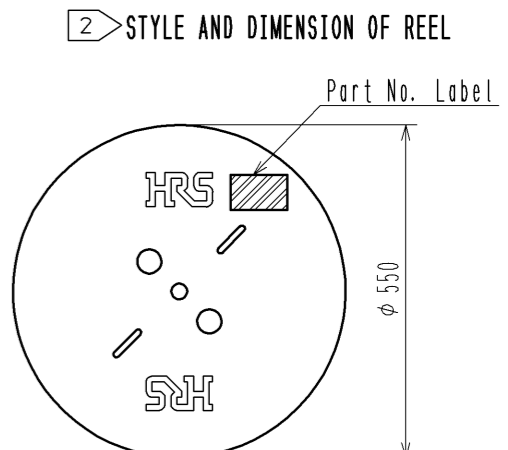
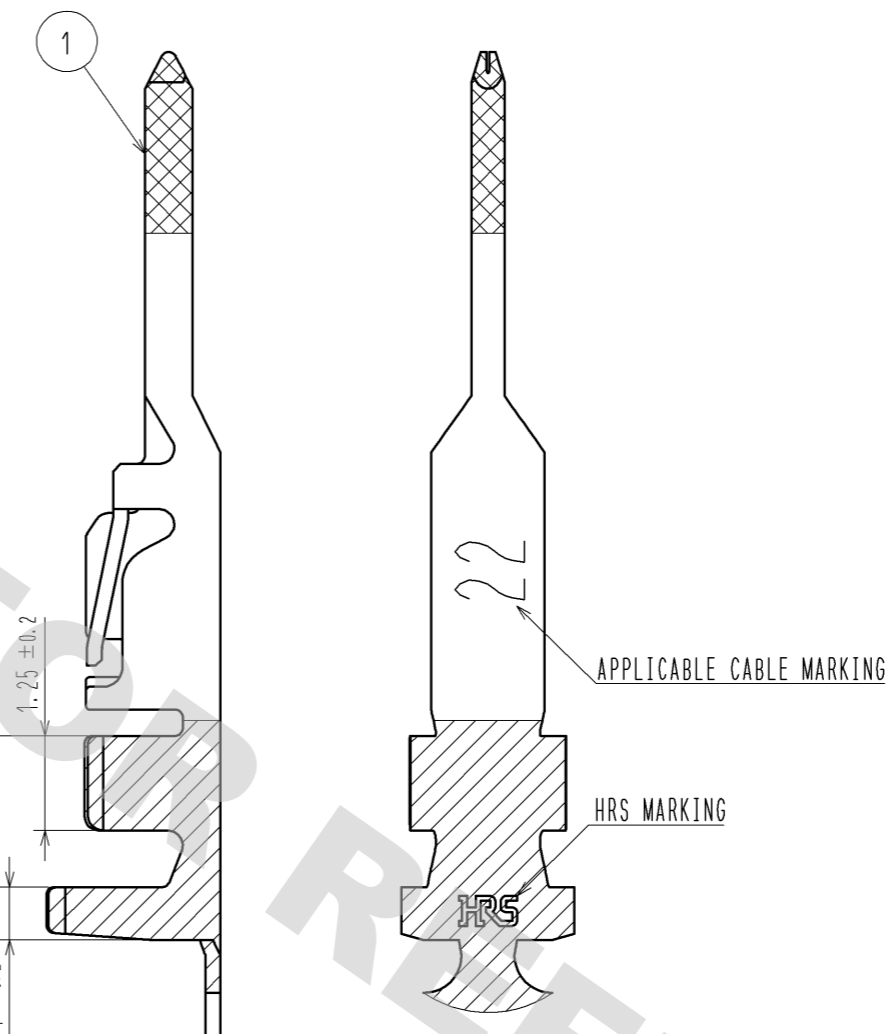
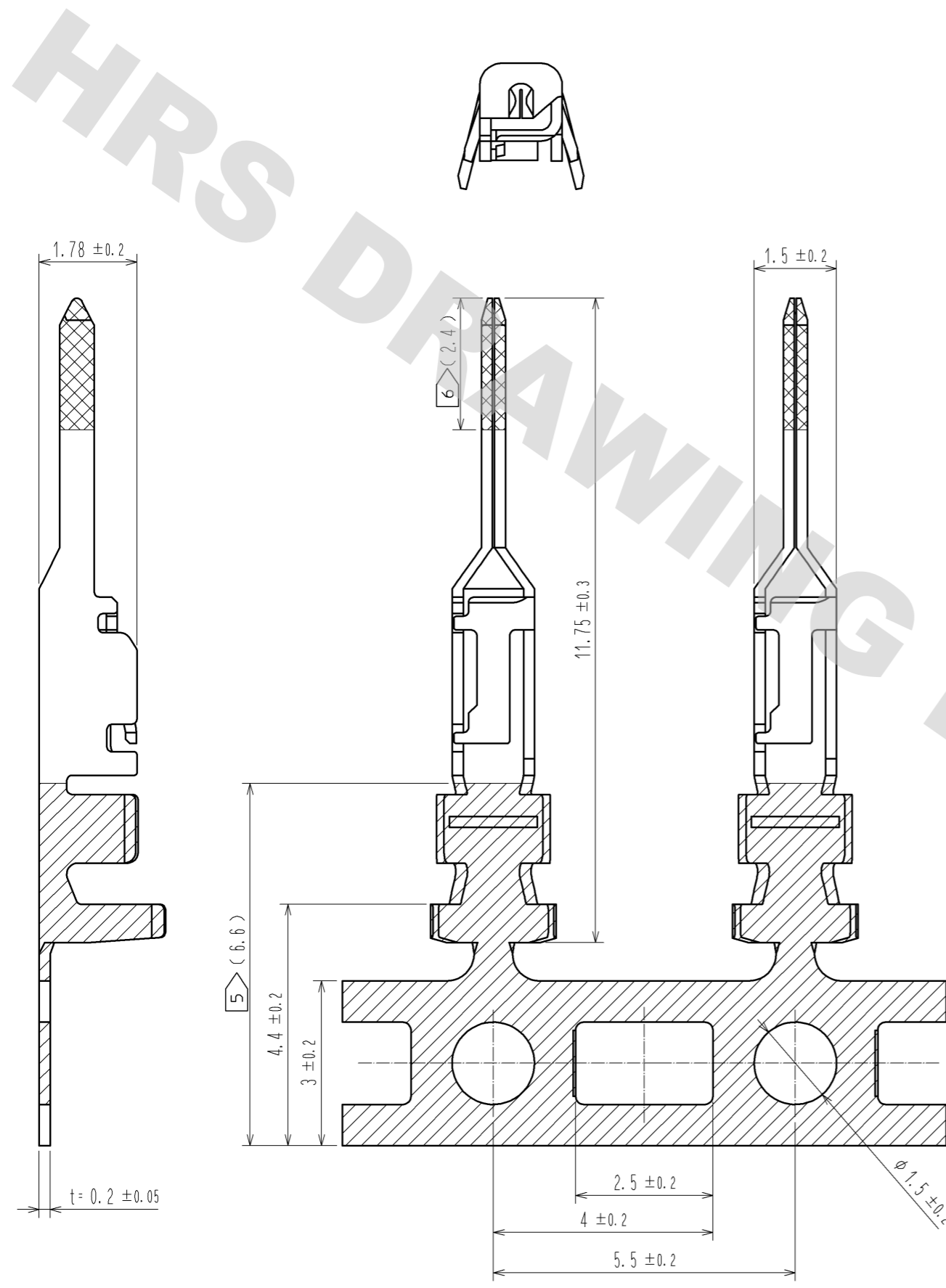


DRAWING FOR REFERENCE: This is subject to change without notice
08/11/2012



- NOTE 1. 1RL:15000 CONTACTS.
 2. STYLE OF REEL AND BOX ARE SHOWN IN FIGURE.
 3. A MAXIMUM OF 5 REELS ARE PACKED UP IN ONE BOX.
 4. PLEASE BE SURE TO CHECK THE FORM OF CRIMPING USING A CABLE. WHEN YOU ADJUST APPLICATOR.
 5. TIN PLATING AREA.
 6. GOLD PLATING AREA.
 7. THE DIMENSIONS IN PARENTHESIS ARE FOR REFERENCE.

NO. 1		MATERIAL PHOSPHOR BRONZE		FINISH . REMARKS CONTACT AREA : GOLD PLATING 0.2 μm MIN CARRIER/BARREL AREA : TIN PLATING 1 μm MIN OTHERS : NICKEL PLATING 0.5 μm MIN	
UNITS mm		SCALE 10 : 1	COUNT △	DESIGNED	CHECKED
APPROVED : KI. AKIYAMA		12.01.19		DRAWING NO. EDC3-339877-00	
CHECED : MN. KENJO		12.01.19		PART NO. DF62-EP22PCFA	
DESIGNED : TO. HORII		12.01.19		CODE NO. CL544-0507-8-00	
DRAWN : TO. HORII		12.01.19		△ 1/1	