

**PLEASE CHECK WWW.MOLEX.COM FOR LATEST PART INFORMATION**

**Part Number:** [55959-0830](#)  
**Status:** **Active**  
**Overview:** MicroClasp™ Wire-to-Board System  
**Description:** 2.00mm Pitch MicroClasp™ Wire-to-Board Header, Dual Row, Right Angle, 8 Circuits

**Documents:**

<a href="#">3D Model</a>	<a href="#">Product Specification PS-51353-010 (PDF)</a>
<a href="#">Drawing (PDF)</a>	<a href="#">Packaging Specification SPK-55959-001 (PDF)</a>
<a href="#">Product Specification PS-51353-003 (PDF)</a>	<a href="#">RoHS Certificate of Compliance (PDF)</a>

**Agency Certification**

UL E29179

**General**

Product Family	PCB Headers
Series	<a href="#">55959</a>
Application	Signal, Wire-to-Board
MolexKits	Yes
Overview	<a href="#">MicroClasp™ Wire-to-Board System</a>
Product Name	MicroClasp™
UPC	756054218327

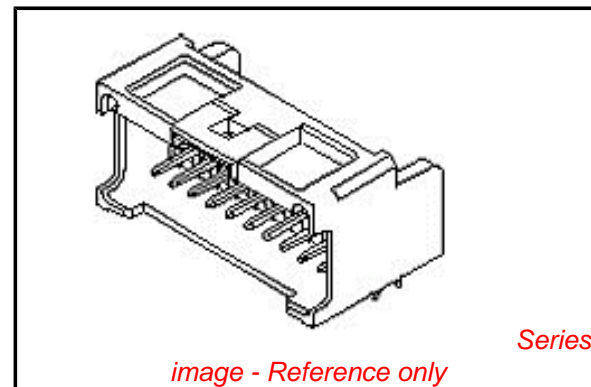
**Physical**

Breakaway	No
Circuits (Loaded)	8
Circuits (maximum)	8
Color - Resin	Natural
Durability (mating cycles max)	30
First Mate / Last Break	No
Glow-Wire Compliant	No
Guide to Mating Part	No
Keying to Mating Part	None
Lock to Mating Part	Yes
Material - Plating Mating	Tin
Material - Plating Termination	Tin
Material - Resin	Polyester
Net Weight	1278.700/mg
Number of Rows	2
Orientation	Right Angle
PC Tail Length	3.20mm
PCB Locator	No
PCB Retention	Yes
PCB Thickness - Recommended	1.60mm
Packaging Type	Tray
Pitch - Mating Interface	2.00mm
Shrouded	Fully
Stackable	No
Surface Mount Compatible (SMC)	No
Temperature Range - Operating	-25°C to +85°C
Termination Interface: Style	Through Hole

**Electrical**

Current - Maximum per Contact	3A
Voltage - Maximum	250V

**Material Info**



**EU RoHS**

**ELV and RoHS Compliant**  
**REACH SVHC Contains SVHC: No**  
**Low-Halogen Status Not Low-Halogen**

**China RoHS**



**Need more information on product environmental compliance?**

Email [productcompliance@molex.com](mailto:productcompliance@molex.com)  
 For a multiple part number RoHS Certificate of Compliance, [click here](#)

Please visit the [Contact Us](#) section for any non-product compliance questions.

**Search Parts in this Series**

[55959Series](#)

**Mates With**

[51353 MicroClasp™ Wire-to-Board Receptacle Housing](#)

## Reference - Drawing Numbers

Packaging Specification  
Product Specification

SPK-55959-001  
PS-51353-003, PS-51353-010, RPS-51353-005,  
RPS-51353-008, RPS-51353-009, RPS-51353-010,  
RPS-51353-014, RPS-51353-017, RPS-51353-019,  
RPS-51353-020, RPS-51353-021, RPS-51353-022,  
RPS-51353-023, RPS-51353-024, RPS-51353-025,  
RPS-51353-026, RPS-51353-028, RPS-51353-030,  
RPS-51353-034  
SD-55959-001, SD-55959-003

Sales Drawing

This document was generated on 07/08/2014

**PLEASE CHECK [WWW.MOLEX.COM](http://WWW.MOLEX.COM) FOR LATEST PART INFORMATION**