

19.0mm X 57.0mm WATER RESISTANT LED MODULES

FEATURES

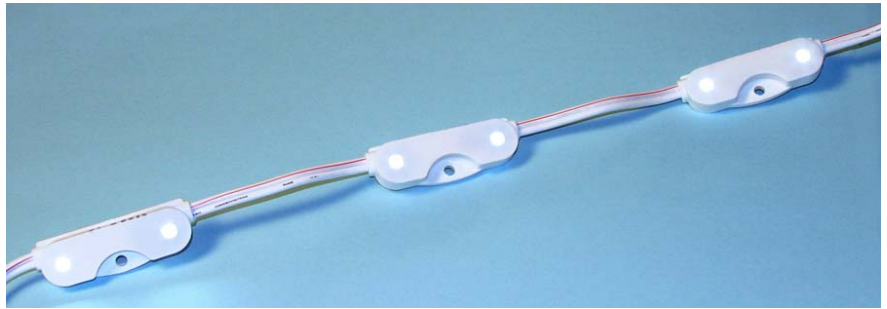
VOLTAGE: 12V DC PER MODULE

CURRENT: 60mA PER MODULE

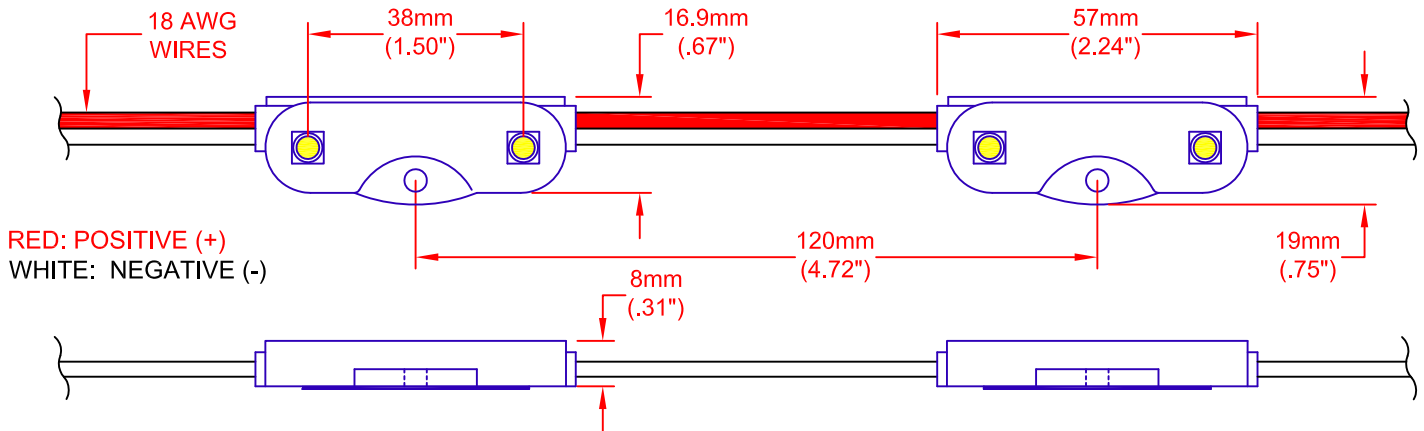
LED VIEWING ANGLE (2 θ 1/2): 120°

MODULE THICKNESS: 8mm

PACKAGE: 50 PIECES PER REEL



IP67



NOTES:

- STANDARD MOUNTING INCLUDES ADHESIVE BACKING AND MOUNTING TABS FOR A #6 SCREW (SCREWS NOT INCLUDED).
- JKL ACCESSORIES TO BE ORDERED SEPARATELY: ZPS-1235 OR ZPS-1260 POWER SUPPLIES.
- DUE TO WIRE GAUGE USED IN THE CONSTRUCTION OF THE MODULES SERIAL RUNS SHOULD BE LIMITED TO 39 FEET OR 100 MODULES.
- POWER CONSUMPTION 2.2 WATTS PER FOOT.

ALL DIMENSIONS ARE REFERENCE ONLY

Electrical/Optical Characteristics at TA = 25°C

Parameter	Symbol	Condition	Min	Typ	Max	Unit
Forward Voltage DC	VF	IF = 60mA	--	12	--	V
Color Temperature	TC	IF = 60mA	7500			K
Luminous Flux per Module	φV/Mod	IF = 60mA	--	26	--	lm/mod
Luminous Flux per Ft.	φV/Ft	--	--	66	--	lm/ft
Recommend Forward Current	IF(rec)	--	--	60	--	mA



Absolute Maximum Rating at TA = 25°C

Parameter	Symbol	Absolute Maximum Rating	Unit
Forward Current	IF	60	mA
Power Dissipation	PD	0.75	W
Electrostatic Discharge	ESD	800	V
Operating Temperature	Topr	-20~+70	°C
Storage Temperature	Tstg	-40~+80	°C

ATTENTION



OBSERVE PRECAUTION FOR HANDLING ELECTROSTATIC DISCHARGE SENSITIVE DEVICES

JKL PART NO.: ZM-1957-CW

METRIC 			DIMENSIONS ARE IN mm & (INCHES) TOLERANCE UNLESS OTHERWISE SPECIFIED 1 PL +/- REF. 2 PL +/- ANGLE +/-			JKL COMPONENTS CORPORATION											
DRAWN BY L. WENGSTROM			APP'VD BY DATE L.R. 7/5/11			SIZE A		FSCM NO. 55335		DRAWING NO. ZM-1957-CW							
REV. NO.			DESCRIPTION/ECO NUMBER			APP'VD DATE		SCALE NONE		RELEASED DATE 3/1/11		REVISION DATE 7/5/11		REV. NO. C		SHEET 1 OF 1	
C ADD WIRE TYPE & CHANGE NOTES			7/5/11			B ADD UL SYMBOL			4/14/11			A CHNG NOTE 3 AND ELECT/OPT CHART			3/23/11		
RELEASED AND CANCEL PL-1101-04			3/1/11			TITLE COOL WHITE 2 LED MODULE CHANNEL LIGHT											