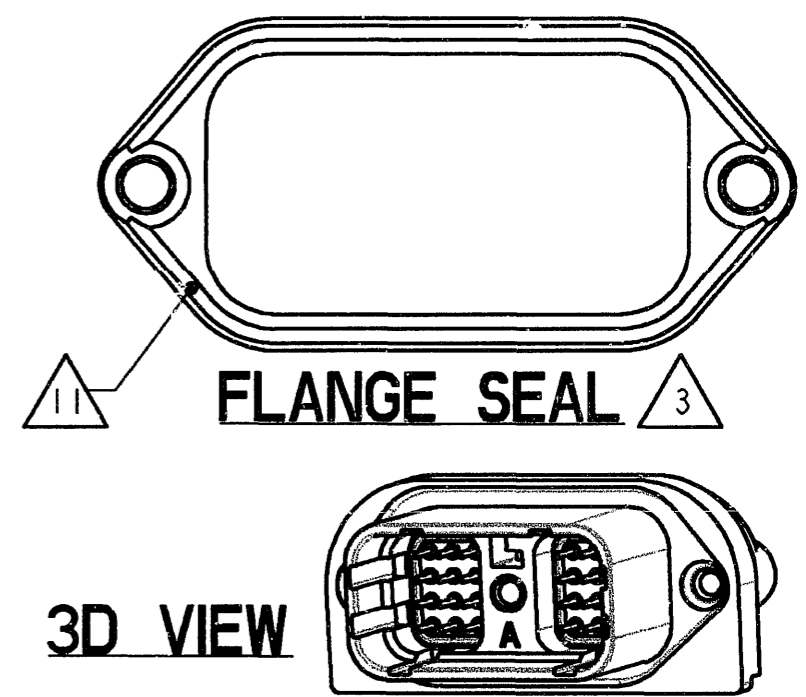
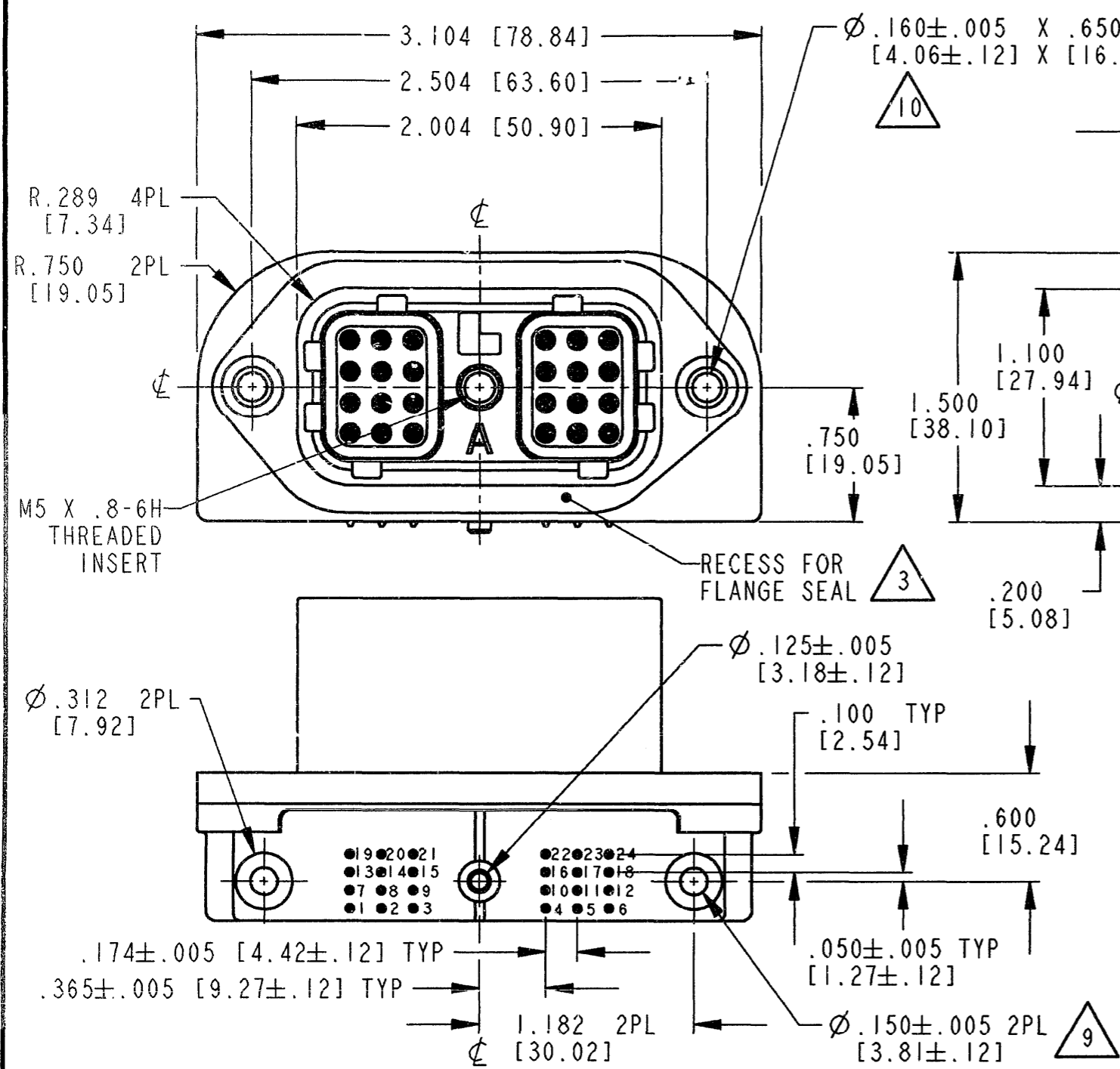


REV
NC DRC23-24P*

REVISIONS			
SYM	DESCRIPTION	DATE	APPROVED
NC	NEW RELEASE PER E.O. PI6859	12-28-00	ADR



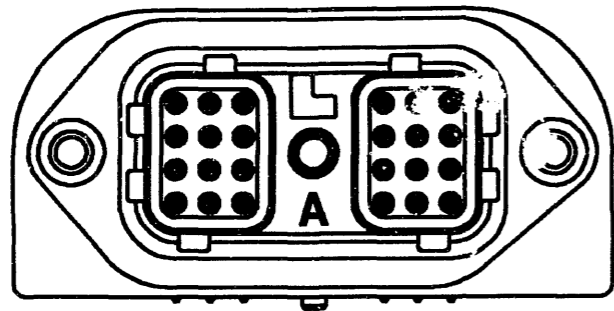
- 12 SURFACE FINISH: 32 RMS OR BETTER; .005 [.12].
- 11 FULLY SEAT THE FLANGE SEAL IN THE RECESS WITH THE RAISED SEAL FACING OUTWARD.
- 10 RECOMMENDED SCREW: 8-16 [M5 X 2.24] THREAD-FORMING SCREW. TORQUE: 15-20 IN-LB [1.69-2.26 NM].
- 9 RECOMMENDED SCREW: 7-18 [M4.06 X 1.41] THREAD-FORMING SCREW. TORQUE: 10-15 IN-LB [1.13-1.69 NM].

- 6. CONTACT PLATING - MATING SIDE: GOLD; PCB SIDE: TIN.
- 5. MATERIAL - PLASTIC (BLACK); INSERT: STEEL; SEALS: RUBBER.
- 4. RECEPTACLE IS SUPPLIED WITH DUST CAP (NOT SHOWN).
- 3 FLANGE SEAL (P/N 0513-028-2406) IS SHIPPED LOOSE WITH RECEPTACLE.
- 2. DIMENSION TOLERANCE: ±.025 [.64]; PANEL CUTOUT: ±.010 [.25].
- 1. DIMENSIONS ARE IN INCHES [mm].

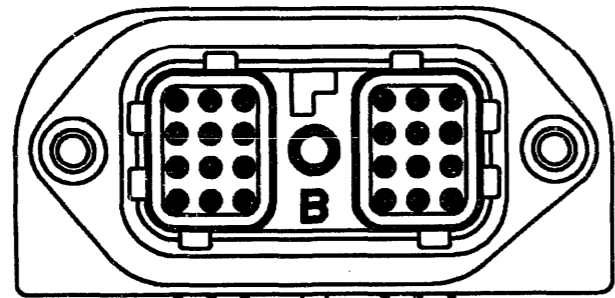
NOTES: UNLESS OTHERWISE SPECIFIED

- 8. SEE SHEET 2 FOR OTHER KEY ARRANGEMENTS.
- 7. THIS RECEPTACLE MATES WITH DRC26-24S*-**** PLUG (*=A,B,C,D KEYS; ****=ALL MODIFICATIONS).

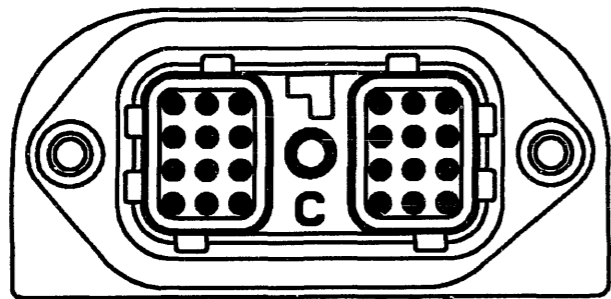
SIGNATURE & DATE		RECEPTACLE 24 #20 SIZE CONTACTS KEY ARRANGEMENTS A, B, C & D DRC SERIES ENVELOPE	CP	MATL. CODE	
DR	J. APOSTOL 07NOV2000		The Deutsch Company DEUTSCH I.P.D. 3850 INDUSTRIAL AVE. HEMET, CALIF. 92545		
CHK	M. Parnell 12/28/00		B DRC23-24P*	DWG SIZE	CODE 11139
PE	D. Meyer 12/11/00			SHEET 1 OF 2	
APPD	R. Reed 12-28-00				
SCALE	NONE	WT			



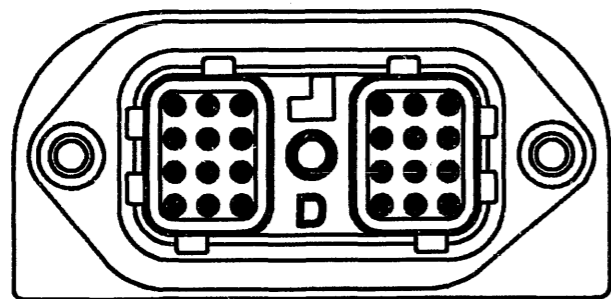
**KEY ARRANGEMENT -A-
DRC23-24PA**



**KEY ARRANGEMENT -B-
DRC23-24PB**



**KEY ARRANGEMENT -C-
DRC23-24PC**

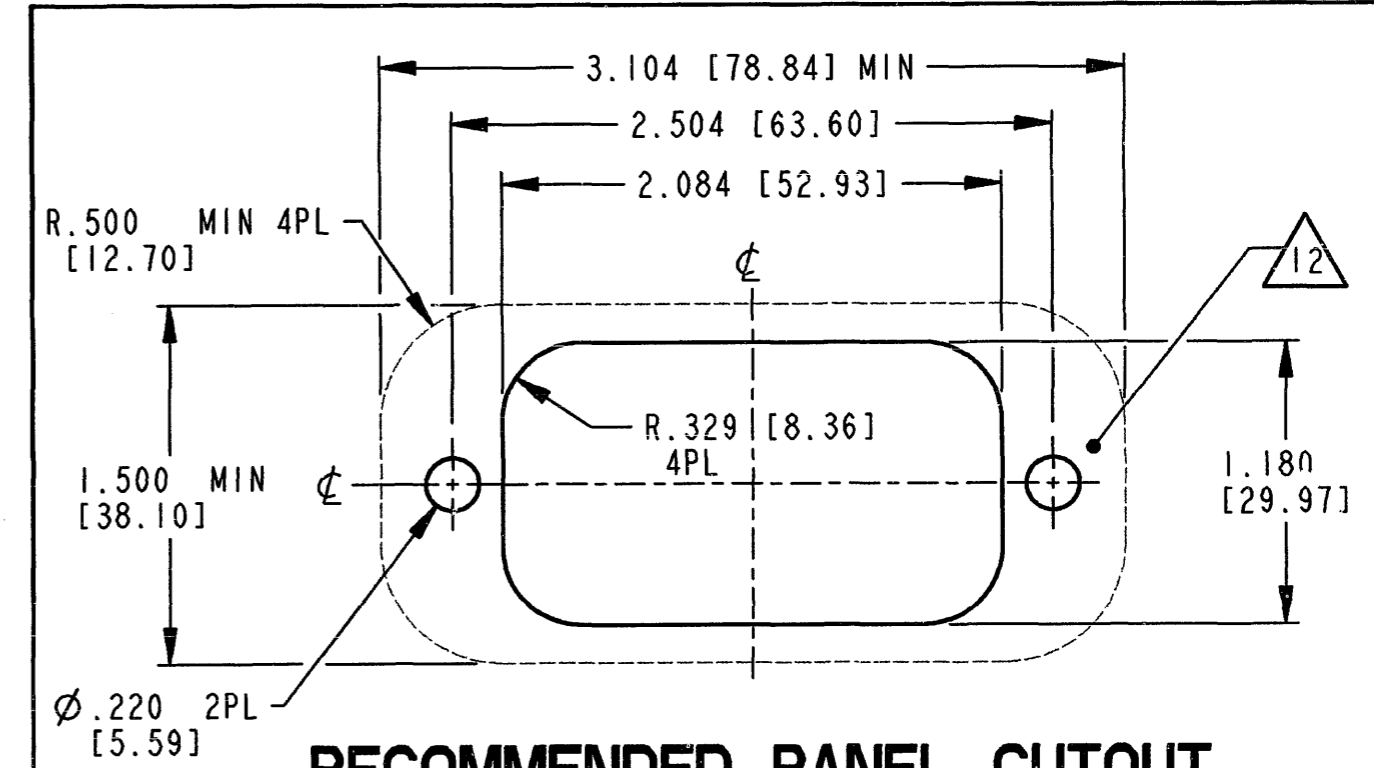


**KEY ARRANGEMENT -D-
DRC23-24PD**

NOTES:

REV	NC	DRC23-24P*
-----	----	------------

REVISIONS			
SYM	DESCRIPTION	DATE	APPROVED
	SEE SHEET ONE	12-28-00	RDR



SIGNATURE & DATE		RECEPTACLE 24 #20 SIZE CONTACTS KEY ARRANGEMENTS A, B, C & D DRC SERIES ENVELOPE	CP	MATL. CODE	
DR	J. APOSTOL 07NOV2000		The Deutch Company DEUTSCH I.P.D. 3850 INDUSTRIAL AVE. HEMET, CALIF. 92545		
CHK	M. Parrella		B DRC23-24P*	DWG SIZE	CODE 11139
PE	D. Meyer 12/11/00			SHEET 2 OF 2	
APPD	R. Reed 12-28-00				
SCALE	NONE	WT			