

20mm ILLUMINATED CAPACITIVE SWITCH (Momentary) P/N:- 3323-50

Key Features:

- ◆ High brightness full RGB illumination of touch area
- ◆ Momentary, solid state switch output
- ◆ Cable assembly available separately
- ◆ Self adhesive, suitable for panel thickness up to 7mm.

Characteristics:

Supply Voltage:
6VDC to 24VDC

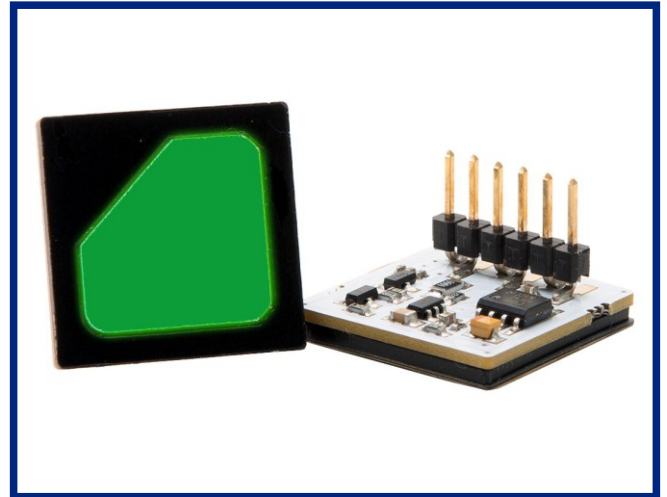
Outputs:
Switch output 40mA (momentary)
Red LED 20mA max
Green LED 20mA max
Blue LED 20mA max

Operating Temperature:
0°C to 50°C

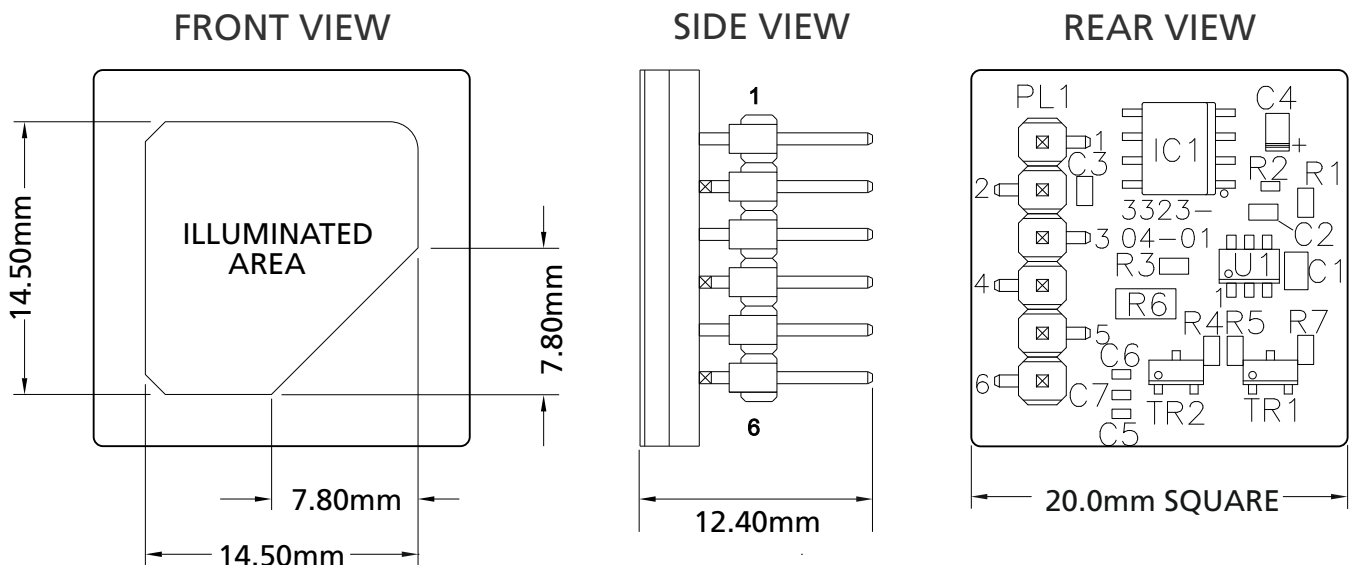
Storage Temperature:
0°C to 70°C

Illumination: *
Red, 290 cd/m²
Green, 655 cd/m²
Blue, 160 cd/m²

* Typical Values



Mechanical Data:

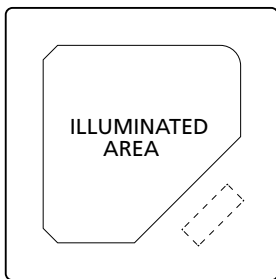


20mm ILLUMINATED CAPACITIVE SWITCH (Momentary)

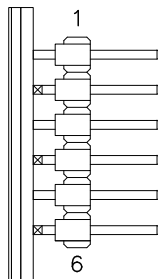
Electrical Outputs:

PL1	FUNCTION	PL1
Pin 1	Supply +VE	+6VDC to +24VDC.
Pin 2	Supply GND	GND.
Pin 3	Switched Output	Up to 40mA source. Voltage as supply voltage.
Pin 4	Green LED Output	20mA Max.
Pin 5	Red LED Output	20 mA Max.
Pin 6	Blue LED Output	20 mA Max.

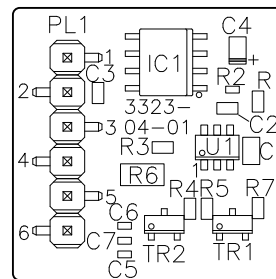
FRONT VIEW



SIDE VIEW



REAR VIEW



Circuit Diagram:

