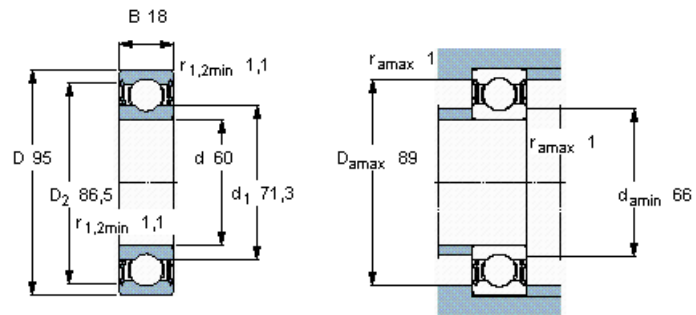


Deep groove ball bearings, single row



Principal dimensions			Basic load ratings		Fatigue load limit P_u	Speed ratings		Mass	Designation
d	D	B	dynamic	static		Reference speed	Limiting speed		
mm			kN		kN	r/min		kg	-
60	95	18	30,7	23,2	0,98	-	4300	0,42	6012-2RS1 *



Calculation factors

k_r 0,025
 f_0 16