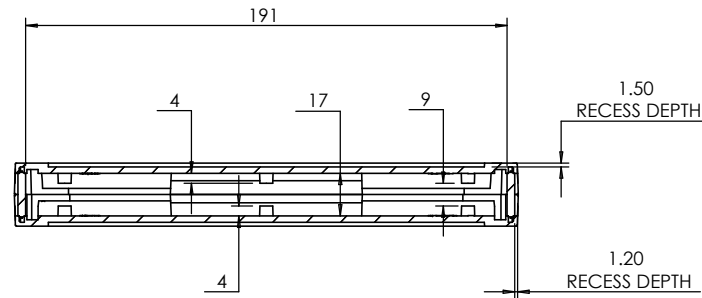
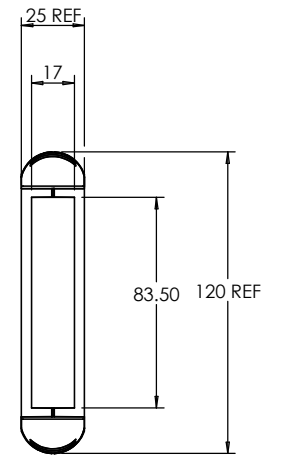
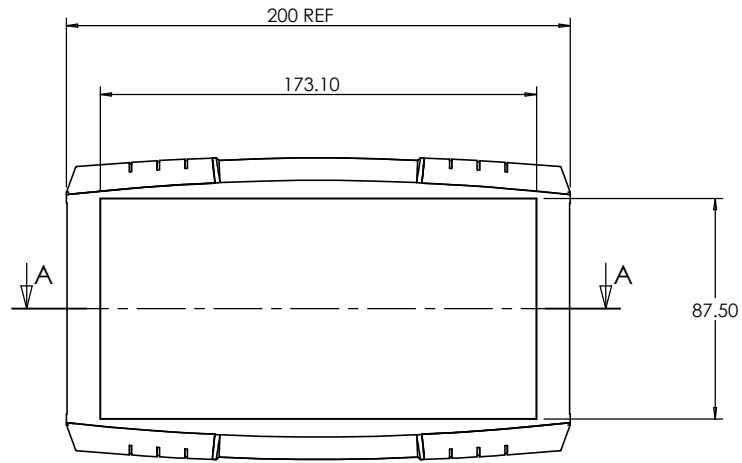
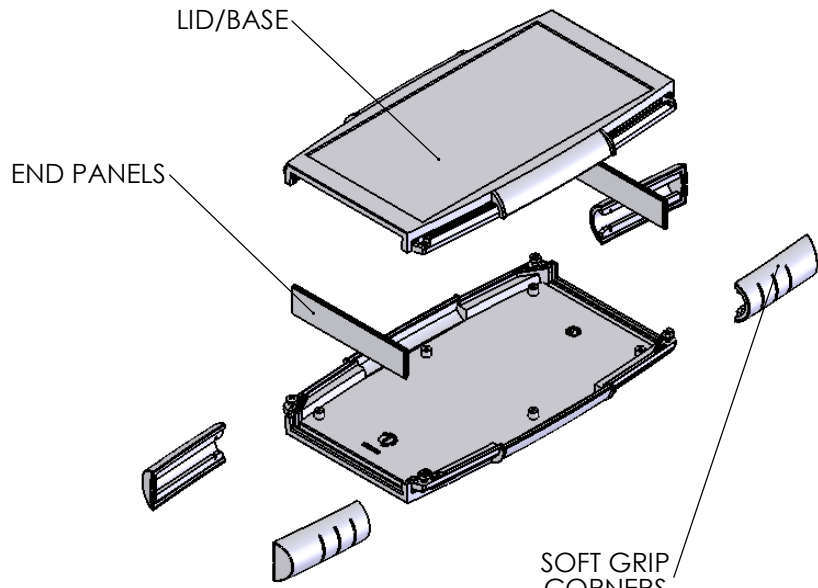


LID/BASE

ISO VIEW
1:4



SECTION A-A

SOFT-GRIP CORNERS
SUPPLIED SEPARATELY

- RE33133225
- RE33133325
- RE33133425
- RE33133525
- RE33133625
- RE33133725
- RE33133825



ASSEMBLY

 JAMES CARTER RD, MILDENHALL, SUFFOLK, IP28 7DE TEL: 01638 716101 FAX: 01638 716554 EMAIL: Sales@CamdenBoss.com WEB: www.CamdenBoss.com				UNLESS OTHERWISE SPECIFIED: DIMENSIONS ARE IN MILLIMETERS		DO NOT SCALE DRAWING		REVISION. 0	
				FINISH. LIGHT SPARK		TITLE: GNL ASSEMBLY DRG FOR 33 SERIES			
DRAWN L. SUBKHANKULOVA LS 29/01/09		MATERIAL. High Impact ABS		DWG NO. RE33133305 - BLACK RE33133315 - GREY		A4			
CHK'D STUART HARDINGE SJH 29/01/09		PROJECTION.		SCALE. 1 : 3		SHEET 1 OF 1			