

# Housing - DC-B 6-H-80/O1STM20G-M - 1581173

Please be informed that the data shown in this PDF Document is generated from our Online Catalog. Please find the complete data in the user's documentation. Our General Terms of Use for Downloads are valid (<http://download.phoenixcontact.com>)




DUPLICON, aluminum stackable housing for DUPLICON contact inserts, type B6, IP67 degree of protection, with two locking latches, seal and M20 cable screw connection threads (without cable gland), straight outlet

The image shows the version with angled cable outlet



## Key commercial data

|                                      |   |
|--------------------------------------|---|
| Packing unit                         | 10 pc   |
| GTIN                                 | <br>4 046356 428064 |
| Weight per Piece (excluding packing) | 294.9 g   |
| Custom tariff number                 | 85389099  |
| Country of origin                    | Slovenia  |

## Technical data

### Dimensions

|        |       |
|--------|-------|
| Height | 37 mm |
|--------|-------|

### Ambient conditions

|                                      |                   |
|--------------------------------------|-------------------|
| Degree of protection of housing (IP) | IP65              |
|                                      | IP66              |
|                                      | IP67              |
| Ambient temperature (operation)      | -40 °C ... 125 °C |

### General

|                              |                    |
|------------------------------|--------------------|
| Type                         | DC-B6              |
| Housing type                 | Sleeve housings    |
| Color                        | pearl gray         |
| Locking type                 | With locking latch |
| Cable exit                   | Lateral            |
| Screw connection             | none               |
| Type of the screw connection | With 2x M20 thread |

# Housing - DC-B 6-H-80/O1STM20G-M - 1581173

## Technical data

### General

|                              |                   |
|------------------------------|-------------------|
| Housing material             | Aluminum die-cast |
| Housing surface material     | EMC-conductive    |
| Seal material                | NBR               |
| Material lock                | Stainless steel   |
| Material grip body interlock | PA                |

## Classifications

### eCl@ss

|            |          |
|------------|----------|
| eCl@ss 4.0 | 272607xx |
| eCl@ss 4.1 | 27260701 |
| eCl@ss 5.0 | 27143424 |
| eCl@ss 5.1 | 27143424 |
| eCl@ss 6.0 | 27143424 |
| eCl@ss 7.0 | 27440209 |
| eCl@ss 8.0 | 27440209 |

### ETIM

|          |          |
|----------|----------|
| ETIM 3.0 | EC000437 |
| ETIM 4.0 | EC000437 |
| ETIM 5.0 | EC000437 |

### UNSPSC

|               |          |
|---------------|----------|
| UNSPSC 6.01   | 31261502 |
| UNSPSC 7.0901 | 31261502 |
| UNSPSC 11     | 31261502 |
| UNSPSC 12.01  | 31261502 |
| UNSPSC 13.2   | 31261502 |

## Accessories

### Accessories

### Device marking

Label - EML (26,5X12)R SR - 0816854



Label, Roll, silver/matt, Unlabeled, Can be labeled with: THERMOMARK ROLL, THERMOMARK X, THERMOMARK S1.1, Mounting type: Adhesive, Lettering field: 26.5 x 12 mm

## Full screw connection

# Housing - DC-B 6-H-80/O1STM20G-M - 1581173

## Accessories

Cable gland - HC-K-KV-M25(11-17) - 1690639



Plastic screw connection up to 5 bar, thread length: 8 mm, cable diameter: 11 - 17 mm, WAF 29, screw connection: M25

Cable gland - HC-K-KV-M20(8-13) - 1690626



Plastic screw connection up to 5 bar, thread length: 8 mm, cable diameter: 8 - 13 mm, WAF 24, screw connection: M20

## Seal

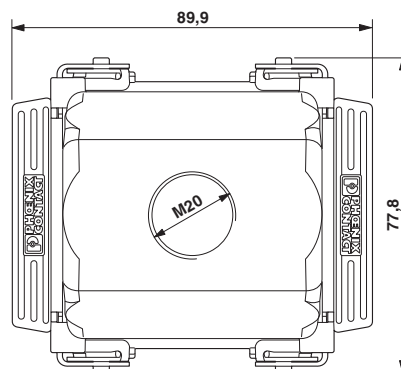
Grommet - DC-B 6-A-HD-G - 1602326



DUPLICON, profile gasket for stackable housing, made of conductive EPDM

## Drawings

Dimensioned drawing



Dimensional drawing