

# Ex position switches

## // EEx 95 range, actuator

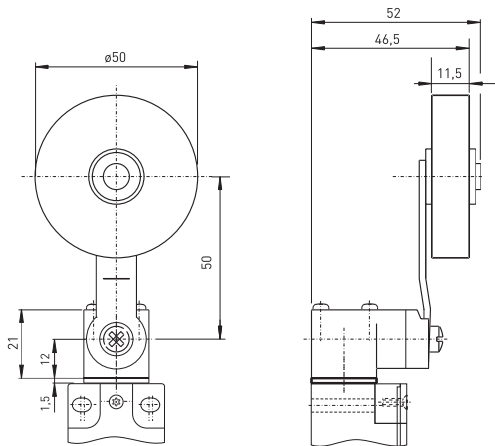
### Features/Options

- Actuator can be repositioned by 10° steps
- Wear-resistant thermoplastic roller
- Can be supplied with actuator turned by 4 x 90°
- Metal roller available on request

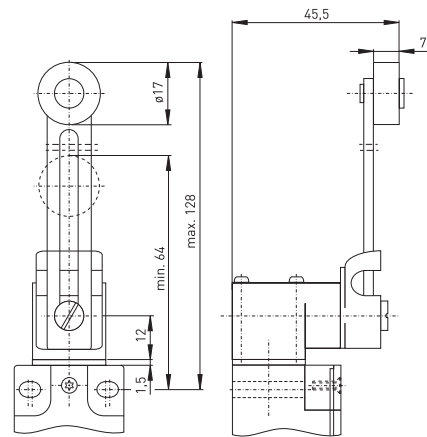
### Features/Options

- Actuator can be repositioned by 10° steps
- Adjustable roller position
- Wear-resistant thermoplastic roller
- Can be supplied with actuator turned by 4 x 90°
- Metal roller available on request

## // Roller lever with rubber roller D50



## // Length-adjustable roller lever DS



54

### Contact variants: Switch travel/contacts

### Contact variants: Switch travel/contacts

	Slow action
1 NC/1 NO contact	<b>EEx 95 D50 10/1S</b> 
1 NC/1 NO contact with overlapping	<b>EEx 95 D50 UE</b> 
2 NC contacts	<b>EEx 95 D50 20</b> 

	Slow action
1 NC/1 NO contact	<b>EEx 95 DS 10/1S</b> 
1 NC/1 NO contact with overlapping	<b>EEx 95 DS UE</b> 
2 NC contacts	<b>EEx 95 DS 20</b> 

