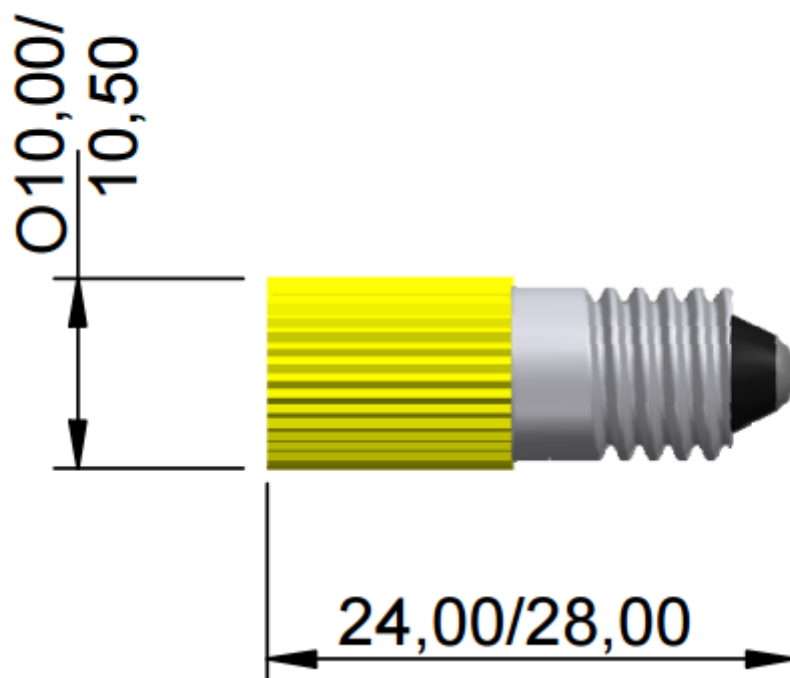


Datasheet

LED Indicator Lamp

RS ITEM NO 208-699



LED/Multiled	<i>Multiled</i>	Optimum voltage (V)	<i>6vac/dc</i>	Intensity	<i>300mcd</i>
Mounting Size	<i>10x28</i>	Rectifier	<i>Half Wave</i>		
Mounting Finish	-	AC current	<i>9mA</i>		
Protection	-	DC current	<i>15mA</i>		
Mount Holder	<i>E10</i>	Voltage Tolerance (%)	<i>10%</i>		
Chip Qty	<i>8</i>	Optimum temperature (°C)	<i>-30°C...+60°C</i>		
Indicator colour	<i>Yellow</i>	Storage temperature (°C)	<i>-30°C...+60°C</i>		
Wavelength (nm)	<i>630</i>	Contact Tab	<i>E10 Base Cap</i>		



Dimension in mm (typical), not to scale.
We reserve the right to make changes without further notice to this product to improve reliability, function or design.