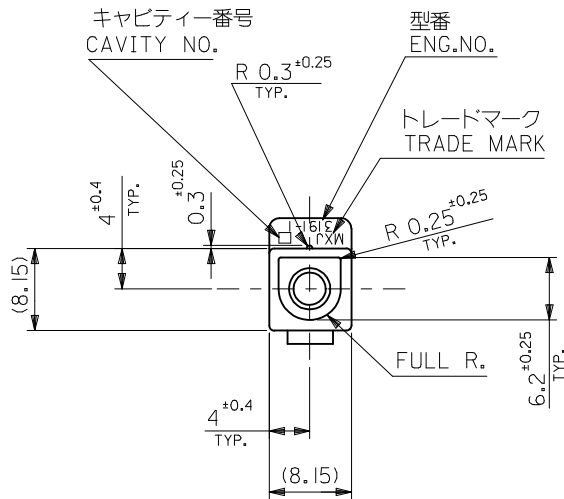


注記  
NOTE

- ( ) 内寸法は参考値  
DIMENSIONS IN ( ) ARE REFERENCE
- 材料 : ナイロン66  
MATERIAL : NYLON66



YELLOW	39-01-9015	3191-01P1-YE	94V-2
RED	39-01-9014	3191-01P1-RE	94V-2
BLUE	39-01-9013	3191-01P1-BU	94V-2
NATURAL	39-03-6013	3191-01P1-201	94V-0
NATURAL	39-03-6012	3191-01P1	94V-2
COLOR	EDP. NO.	ENG. NO.	UL

REVISED EC NO.: J2009-2365 DRWN: KTOYODA 2009/05/01 CHKD: HATSUMOTO 2009/05/01 APPR: NUKITA 2009/05/11	DESCRIPTION REV J	GENERAL TOLERANCES (UNLESS SPECIFIED)		DIMENSION STYLE MM ONLY		SCALE 2:1		DESIGN UNITS METRIC		THIRD ANGLE PROJECTION		
		10 UNDER ± ---	10 OVER 30 UNDER ± ---	30 OVER ± ---	ANGULAR ± --- °	DRAFT WHERE APPLICABLE MUST REMAIN WITHIN DIMENSIONS	DRAWN BY H. IJIMA	DATE '96/06/26	TITLE 1 CKT. PLUG HSG (.093 DIA. TERMINAL)			
		SEE CHART					APPROVED BY M. ENOMOTO	DATE '96/06/26	MOLEX INCORPORATED			
		MATERIAL NO.					DOCUMENT NO. SD-3191-002		SHEET NO. 1 OF 1		INCORPORATED AND SHOULD NOT BE USED WITHOUT WRITTEN PERMISSION	