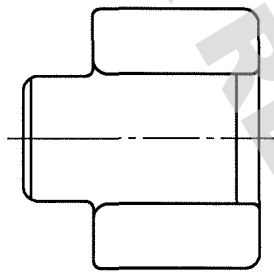
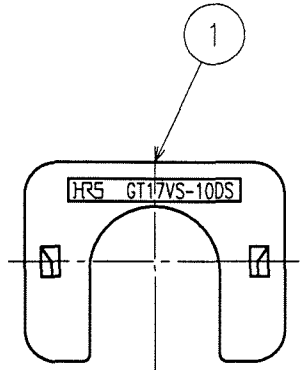
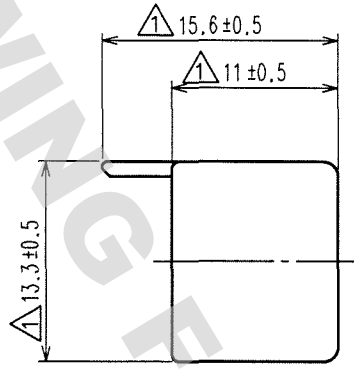
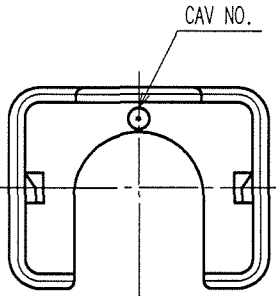
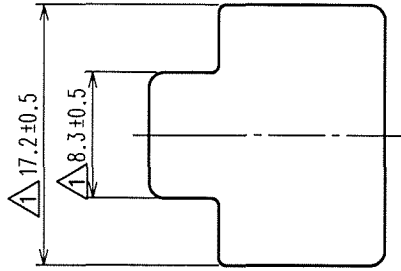


DRAWING FOR REFERENCE: This is subject to change without notice
08/11/2012

COUNT	DESCRIPTION OF REVISIONS	BY	CHKD	DATE	COUNT	DESCRIPTION OF REVISIONS	BY	CHKD	DATE
△ 6	DIS-T-000626	T.K	N.N	07.12.29	△				. .
△				. .	△				. .
△				. .	△				. .

△ ELV. RoHS COMPLIANT



NOTE1. APPLICABLE CABLE DIA : ϕ 7.5 TO ϕ 8.0

1	PBT	DARK GRAY
NO.	MATERIAL	FINISH, REMARKS

CODE NO. (OLD)	DRAWN	DESIGNED	CHECKED	APPROVED	RELEASED
	T. SHISHIKURA	T. SHISHIKURA	N. NAKATA	K. SATO	
	' 01.3.13	' 01.3.13	' 01.3.16	' 01.3.16	

 SACLE 2 : 1 UNITS mm	DRAWING NO.	PART NO.
	EDC4-165731	GT17VS-10DS-R
	 HIROSE ELECTRIC CO., LTD.	CODE NO. CL767-0063-6

TO
AMC