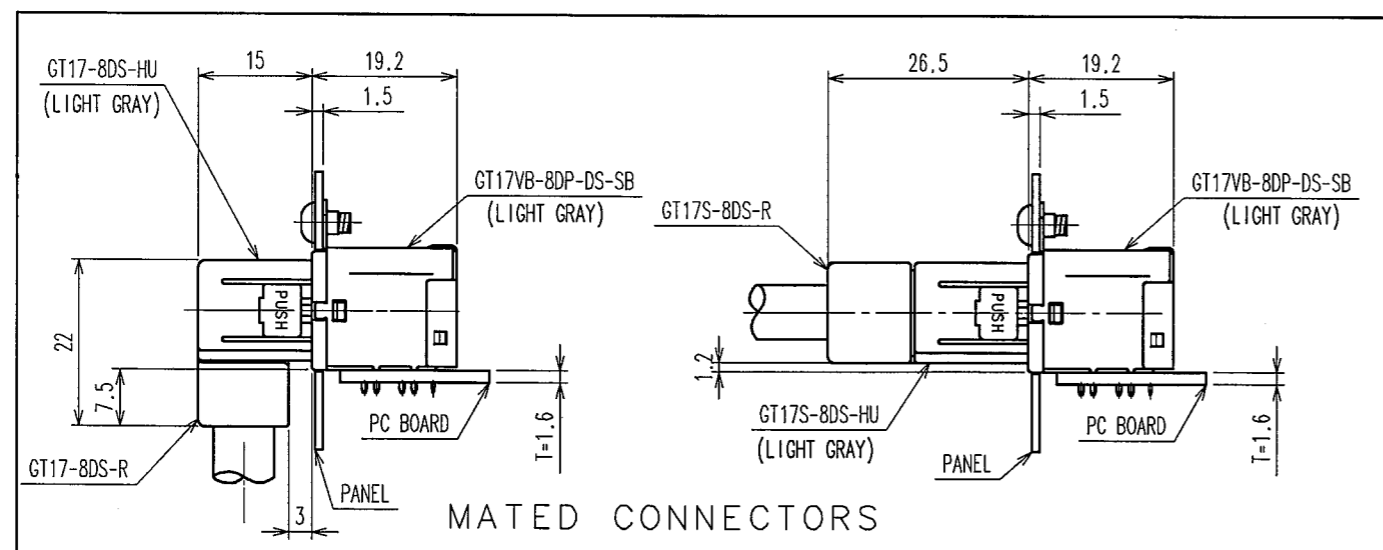
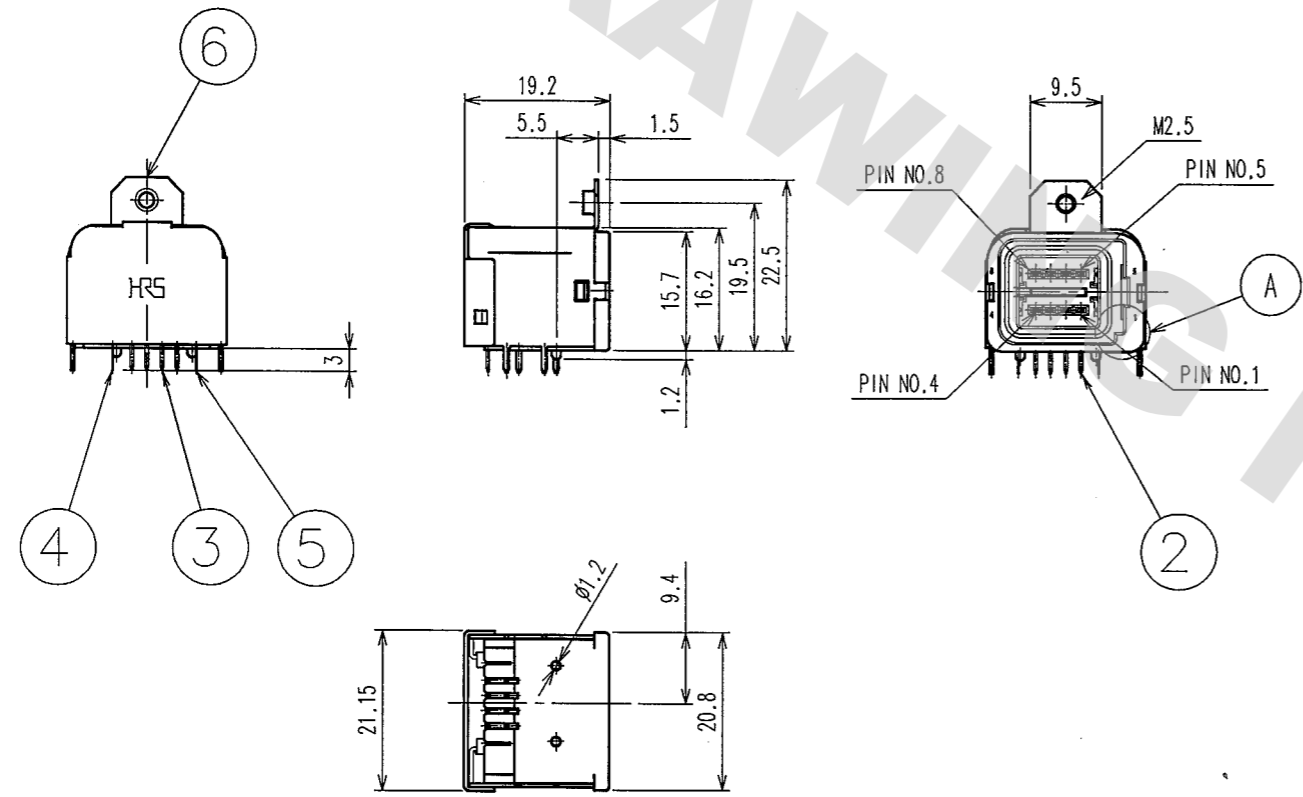
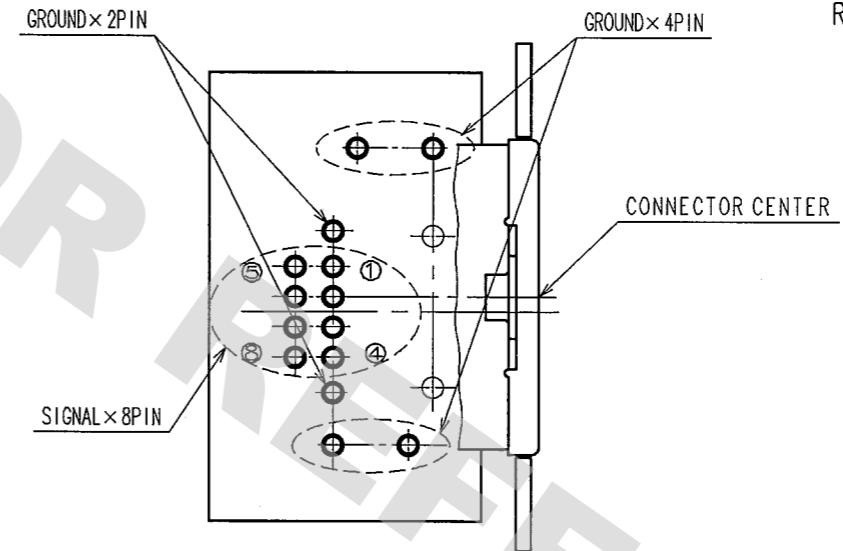
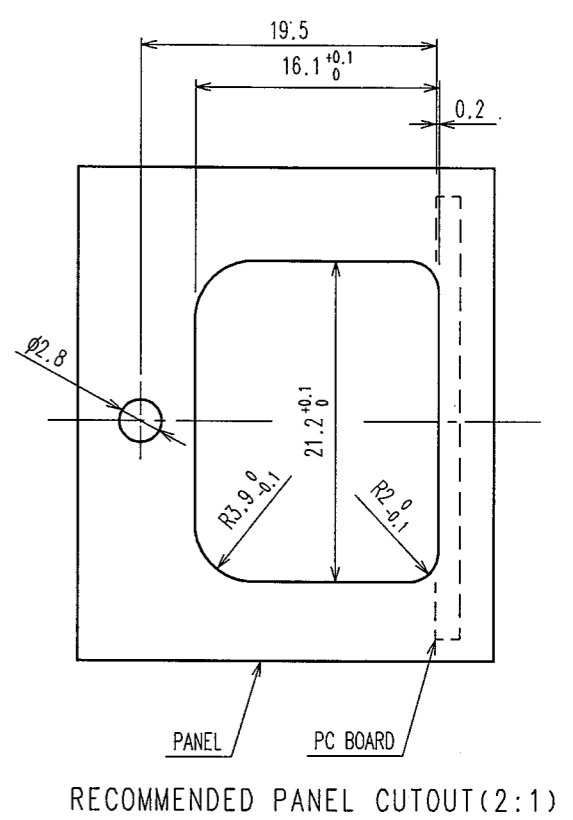
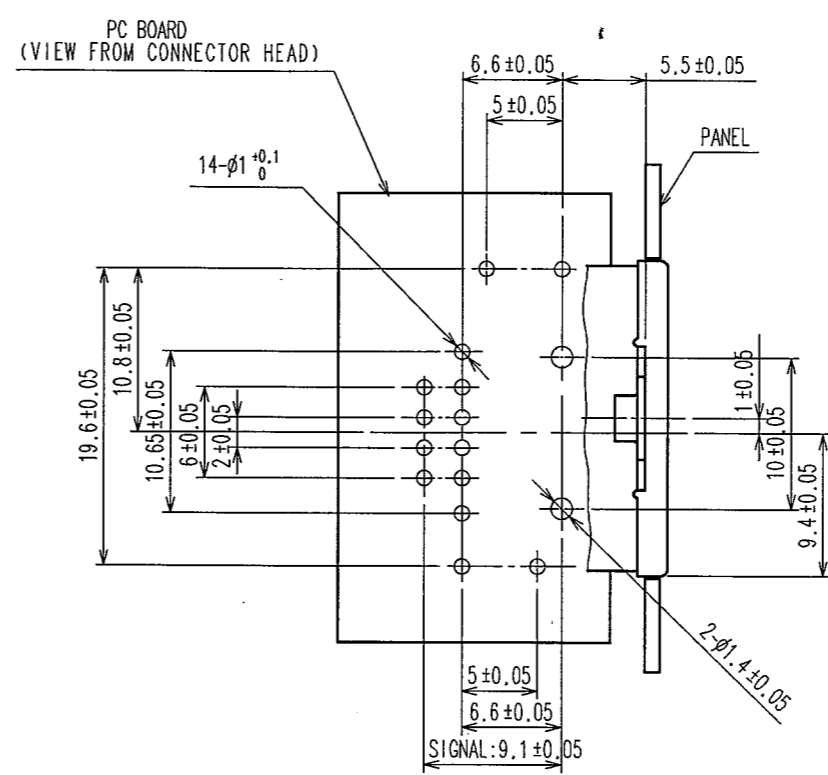
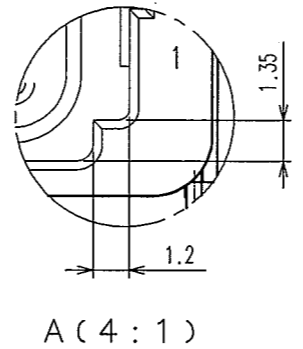


ELV. RoHS COMPLIANT

COUNT	DESCRIPTION OF REVISIONS	BY	CHKD	DATE	COUNT	DESCRIPTION OF REVISIONS	BY	CHKD	DATE



RECOMMENDED PC BOARD HOLE PATTERN(2:1)
VIEW FROM CONNECTOR HEAD

3	BRASS	TIN PLATED ,T=0.64	6	BRASS	TIN PLATED ,T=0.5
2	BRASS	TIN PLATED ,T=0.64	5	COPPER ALLOY	TIN PLATED ,T=0.25
1	PBT	LIGHT GRAY	4	COPPER ALLOY	TIN PLATED ,T=0.25
NO.	MATERIAL	FINISH, REMARKS	NO.	MATERIAL	FINISH, REMARKS

CODE NO. (OLD)	DRAWN	DESIGNED	CHECKED	APPROVED	RELEASED
	T.KUBOTA	T.SHISHIKURA	N.NAKATA	K. Sato	
	'07.12.11	'05.9.14	'07.12.13	'07.12.13	

SCALE	DRAWING NO.	PART NO.
1 : 1	EDC3-166544	GT17VB-8DP-DS-SB
UNITS	CODE NO.	
mm	CL767-0123-6	1/1

DRAWING FOR REFERENCE: This is subject to change without notice
08/11/2012

TO
AMC