



Key-operated button, 3 positions



Part no. **M22-WRS3**
 Article no. **216900**
 Catalog No. **M22-WRS3Q**



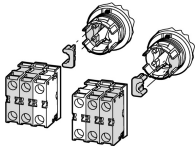
Powering Business Worldwide™



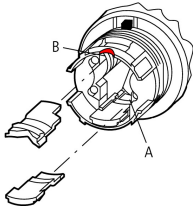
Delivery programme

Product range			RMQ-Titan (drilling dimensions 22.5 mm)
Basic function			Key-operated buttons
Description			3 positions (with plunger bridge engineering) Individual lock mechanism MS1 Not suitable for master key systems With 1 key Stay-put/spring-return function, can be changed with coding parts M22-XC-Y Key withdraw convertible with coding adapters M22-XC-...
Front ring			Front ring: titanium
Function			maintained  left: 60° right: 60°
Key withdrawable in position			0
			II
Function			maintained  left: 60° right: 60°

Note concerning the product **Plunger bridge for the middle contact on 3-position selector switches**



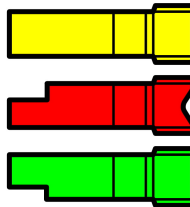
Notes For conversion between stay-put and spring-return functions and for changing the key withdrawability for selector switch actuators with 3 positions



	I	O	II
	A		B
60° ↓ 60°	—	✓	—
50° ↓ 50°	—	✓	—
60° ↓ 50°	—	✓	—
50° ↓ 60°	—	✓	—
40° ↓ 40°	—	✓	—
60° ↓ 40°	—	✓	—
50° ↓ 40°	—	✓	—
40° ↓ 60°	—	✓	—
40° ↓ 50°	—	✓	—

✓ = Key withdrawable
 ✗ = Key not withdrawable

Coding adapters



M22-XC-Y, a#216407

M22-XC-R, a#216406

Approvals

Product Standards
 UL File No.
 UL Category Control No.
 CSA File No.
 CSA Class No.
 North America Certification
 Degree of Protection

IEC/EN 60947-5; UL 508; CSA-C22.2 No. 14-05; CSA-C22.2 No. 94-91; CE marking
 E29184
 NKCR
 012528
 3211-03
 UL listed, CSA certified
 UL/CSA Type 3R, 4X, 12, 13

General

Standards			IEC/EN 60947 VDE 0660
Lifespan, mechanical	Operations	x 10 ⁶	> 0.1

Operating frequency	Operations/h		$\frac{1}{100}$
Operating torque		Nm	$\frac{1}{0.5}$
Protection type			IP66
Climatic proofing			Damp heat, constant, to IEC 60068-2-78 Damp heat, cyclic, to IEC 60068-2-30
Ambient temperature		°C	
Open		°C	- 25 - + 70
Mounting position			As required
Mechanical shock resistance		g	30 Shock duration 11 ms Sinusoidal according to IEC 60068-2-27

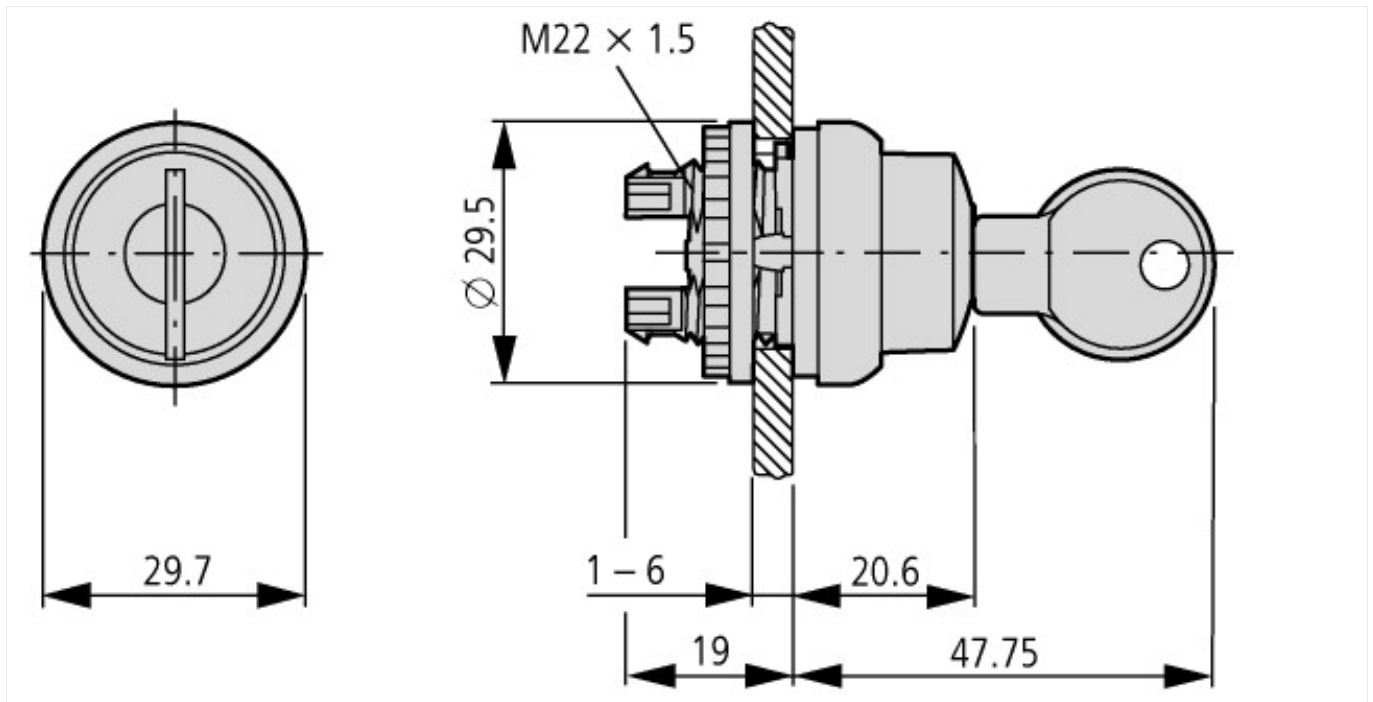
Technical data ETIM 5.0

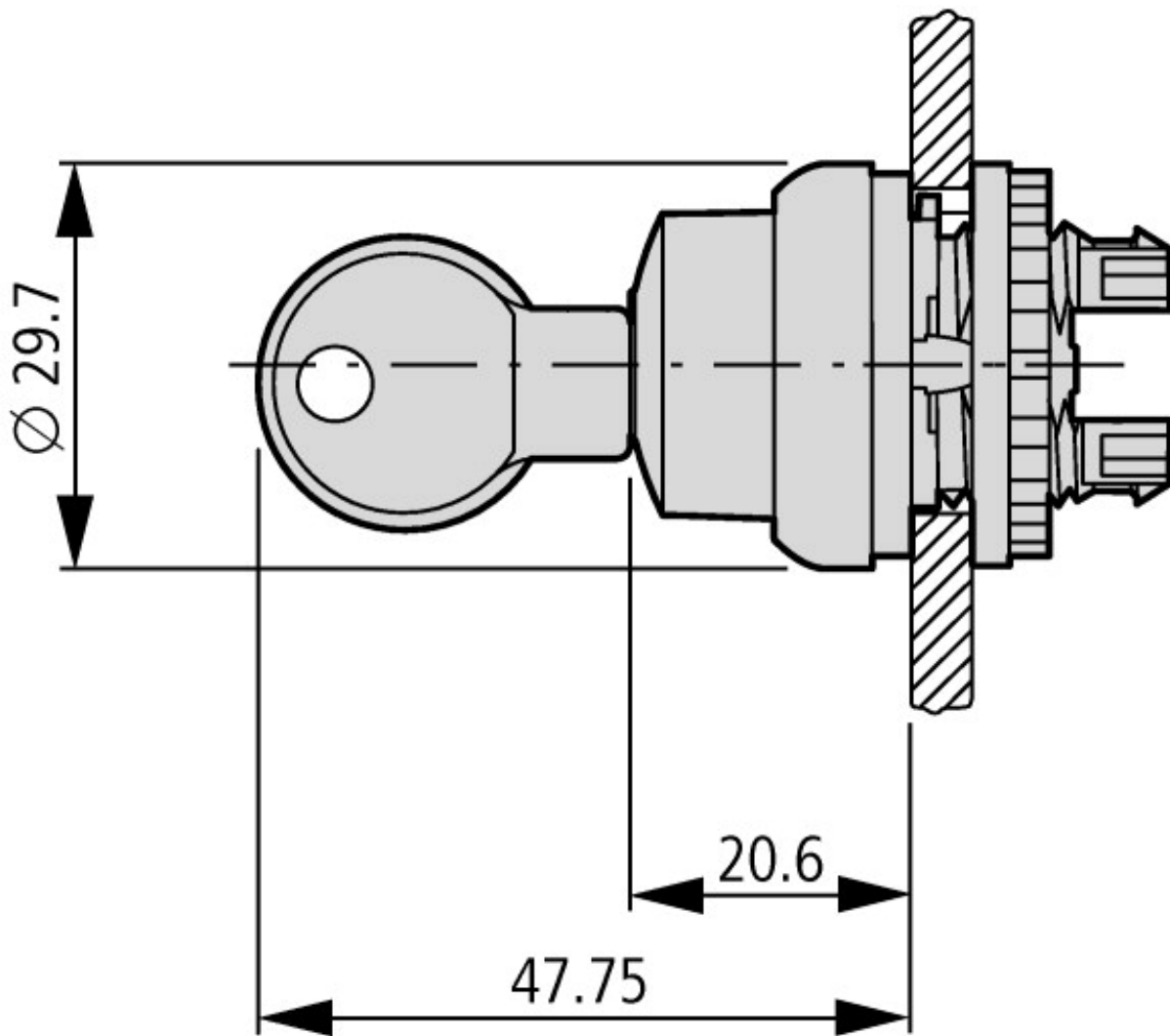
Low-voltage industrial components (EG000017) / Front element for selector switch (EC000222)

Electric engineering, automation, process control engineering / Low-voltage switch technology / Command and alarm device / Front element for selector switches (ecl@ss8-27-37-12-13 [AKF031010])

Number of switch positions			3
Type of control element			Key
Suitable for illumination			No
Colour control element			Black
Colour indicator light cap			Not applicable
Construction type lens			Round
Hole diameter		mm	22.5
Width opening		mm	0
Height meter opening		mm	0
Switching function latching			Yes
Spring-return			No
Degree of protection (IP), front side			IP66
With front ring			Yes
Material front ring			Plastic
Colour front ring			-

Dimensions





Individual lock mechanism

Individual lock mechanism

Additional product information (links)

IL04716002Z (AWA1160-1745) RMQ-Titan System

IL04716002Z (AWA1160-1745) RMQ-Titan System

ftp://ftp.moeller.net/DOCUMENTATION/AWA_INSTRUCTIONS/IL04716002Z2013_08.pdf

Labeleditor

<http://downloadcenter.moeller.net/de/software.f6023a63-5acb-42c7-a51c-ccf99091cace>