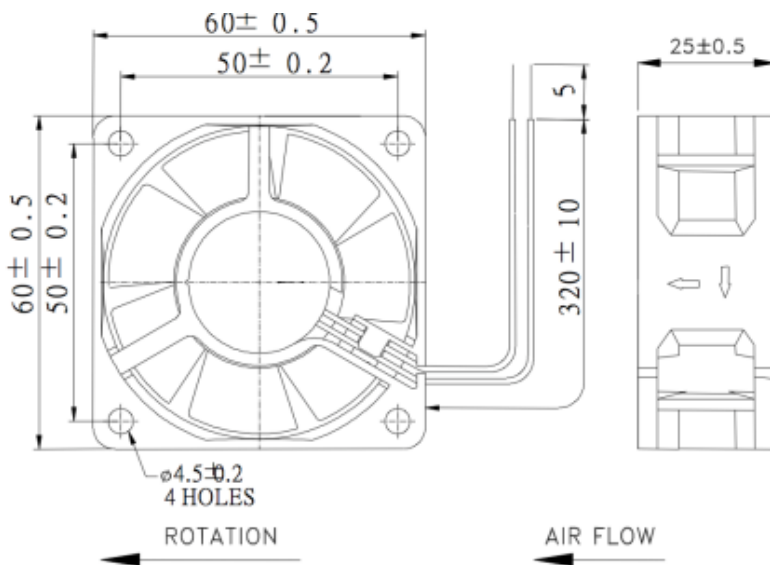


# Datasheet

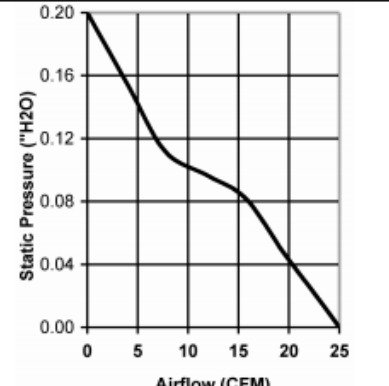
## DC Axial Fan, 60 x 60 x 25mm

RS Stock number [668-8827](#)

### Dimensions: (mm)



### Specifications

Frame & Impeller	PBT, UL94V-O plastic	<b>Available Options:</b> Sleeve Bearing Ball Bearing Tachometer Alarm IP55 48V & 5V  <b>Life Expectancy (L10)</b> 40,000 hrs (40C)  <b>Operating Temperature</b> -10 ~ 70C	 <p>Static Pressure ("H2O)</p> <p>Airflow (CFM)</p>
Connection	2x Lead wires 24AWG		
Motor	Brushless DC, auto restart, polarity protected		
Bearing System	Sealed Sleeve		
Insulation Resistance	10M ohm between leadwire and frame (500VDC)		
Dielectric Strength	1 second at 500 VAC, max leakage - 500 MicroAmp		

RS Order Number	6688827
Model Number	OD6025-12HSS
Part Number	163143001
Nominal Voltage	12 VDC
Nominal Current	0.23A
Rated Power	2.8W
Rated Speed (RPM)	4600
Airflow (CFM)	25
Noise Level (dB)	35
Max. Static Pressure	0.20" H2O