

Power cable - SAC-5P-MINMR/1,5-441/MINFR PWR - 1419904

Please be informed that the data shown in this PDF Document is generated from our Online Catalog. Please find the complete data in the user's documentation. Our General Terms of Use for Downloads are valid (<http://phoenixcontact.com/download>)




Power cable, 5-position, PUR, Gray RAL 7001, Plug angled 7/8"-16UNF, on Socket angled 7/8"-16UNF, Cable length: 1.5 m, 2.5 mm² conductor cross section, For power supply

Why buy this product

- Easy and safe: 100% electrically tested plug-in components
- Robust connectors in size 7/8"-16UNF
- High-performance: connectors and cables with a large conductor cross section for power supply



Key commercial data

| | |
|--------------------------------------|---|
| Packing unit | 1 pc |
| GTIN |  4 046356 537650 |
| Weight per Piece (excluding packing) | 222.22 g |
| Custom tariff number | 85444290 |
| Country of origin | Germany |
| Note | Made to Order (non-returnable) |

Technical data

Dimensions

| | |
|-----------------|-------|
| Length of cable | 1.5 m |
|-----------------|-------|

Ambient conditions

| | |
|---------------------------------|----------------------------------|
| Ambient temperature (operation) | -40 °C ... 90 °C (Plug / socket) |
| Degree of protection | IP65 |
| | IP67 |
| | IP68 |

General

| | |
|-----------------------|--------|
| Rated current at 40°C | 13 A |
| Rated voltage | 600 V |
| Number of positions | 5 |
| Contact resistance | ≤ 5 mΩ |

Power cable - SAC-5P-MINMR/1,5-441/MINFR PWR - 1419904

Technical data

General

| | |
|---|------------------|
| Insulation resistance | ≥ 10 MΩ |
| Coding | A - standard |
| Status display | No |
| Protective circuit/component | Unwired |
| Surge voltage category | II |
| Pollution degree | 3 |
| Structure of individual litz in acc. with VDE 0295 / smallest wire diameter | VDE 0295 class 5 |
| Insertion/withdrawal cycles | 100 |

Material

| | |
|---|------------------------------|
| Inflammability class according to UL 94 | HB |
| Contact material | CuZn |
| Contact surface material | AU |
| Contact carrier material | PA 66 |
| Material of grip body | TPU |
| Material, knurls | Zinc die-cast, nickel-plated |

Cable

| | |
|---|--|
| Cable type | PUR/PVC gray |
| Cable abbreviation | 11Y-JZ |
| AWG signal line | 14 |
| Wire colors | Black 1, black 2, black 3, black 4, green/yellow |
| Overall twist | 5 cores, twisted |
| External sheath, color | Gray RAL 7001 |
| External cable diameter | 10.80 mm |
| Smallest bending radius, fixed installation | 81 mm |
| Smallest bending radius, movable installation | 162 mm |
| Cable weight | 195 kg/km |
| Outer sheath, material | PUR |
| Conductor material | Bare Cu litz wires |
| Flame resistance | in acc. to UL VW1 |
| | IEC 60332-1-2 |
| Ambient temperature (operation) | -40 °C ... 90 °C (cable, fixed installation) |
| | 5 °C ... 90 °C (cable, flexible installation) |

Classifications

eCl@ss

| | |
|------------|----------|
| eCl@ss 4.0 | 27060306 |
| eCl@ss 4.1 | 27060306 |
| eCl@ss 5.0 | 27061801 |
| eCl@ss 5.1 | 27061801 |

Power cable - SAC-5P-MINMR/1,5-441/MINFR PWR - 1419904

Classifications

eCl@ss

| | |
|------------|----------|
| eCl@ss 6.0 | 27279218 |
| eCl@ss 7.0 | 27279218 |

ETIM

| | |
|----------|----------|
| ETIM 2.0 | EC000830 |
| ETIM 3.0 | EC001855 |
| ETIM 4.0 | EC001855 |
| ETIM 5.0 | EC001855 |

UNSPSC

| | |
|---------------|----------|
| UNSPSC 6.01 | 31251501 |
| UNSPSC 7.0901 | 31251501 |
| UNSPSC 11 | 31251501 |
| UNSPSC 12.01 | 31251501 |
| UNSPSC 13.2 | 31251501 |

Approvals

Approvals


Approvals

UL Listed / cUL Listed / EAC / cULus Listed

Ex Approvals

Approvals submitted

Approval details

| | |
|---|-------|
| UL Listed  | |
| Nominal current I _N | 13 A |
| Nominal voltage U _N | 600 V |

Power cable - SAC-5P-MINMR/1,5-441/MINFR PWR - 1419904

Approvals

| | |
|--------------------|-------|
| cUL Listed | |
| Nominal current IN | 13 A |
| Nominal voltage UN | 600 V |

EAC

cULus Listed

Accessories

Accessories

Conductor marking

Insert label - PABA WH/15 - 1013151



Insert label, Strip, white, unlabeled, can be labeled with: Plotter, Mounting type: Thread on, Cable diameter: 0.6-50 mm, Lettering field: 15 x 4 mm

Insert label - PABA YE/15 - 1013698



Insert label, Strip, yellow, unlabeled, can be labeled with: Plotter, Mounting type: Thread on, Cable diameter: 0.6-50 mm, Lettering field: 15 x 4 mm

Insert label - PABA RD/15 - 1013944



Insert label, Strip, red, unlabeled, can be labeled with: Plotter, Mounting type: Thread on, Cable diameter: 0.6-50 mm, Lettering field: 15 x 4 mm

Marker carrier cable

Power cable - SAC-5P-MINMR/1,5-441/MINFR PWR - 1419904

Accessories

Conductor marker carrier - PATO 2/15 - 1013122



Conductor marker carrier, transparent, unlabeled, Mounting type: clip on, Cable diameter: 2.8-4.4 mm, Lettering field: 4 x 15 mm

Conductor marker carrier - PATO 3/15 - 1013135



Conductor marker carrier, transparent, unlabeled, Mounting type: clip on, Cable diameter: 4.4-6.7 mm, Lettering field: 4 x 15 mm

Conductor marker carrier - PATO 4/15 - 1013148



Conductor marker carrier, transparent, unlabeled, Mounting type: clip on, Cable diameter: 6.7-10 mm, Lettering field: 4 x 15 mm

Marker pen

Marker pen - B-STIFT - 1051993



Marker pen, for manual labeling of unprinted Zack strips, smear-proof and waterproof, line thickness 0.5 mm

Protective cap

Sealing cap - PROT-MINFS-PA-CHAIN - 1430912

7/8" sealing cap made of plastic with fixing band, for sensor cables, for 7/8" connectors



Power cable - SAC-5P-MINMR/1,5-441/MINFR PWR - 1419904

Accessories

Screw plug - PROT-MINMS-PA-CHAIN - 1430925

7/8" sealing cap made of plastic with fixing band, for sensor cables, for 7/8" sockets



Screwdriver tools

Adapter insert - TSD-M SAC-BIT ADAPTER - 1212600



Adapter bit for TSD-M...torque tools, E6.3-1/4" drive with 4 mm hexagon to accommodate SAC bits

Adapter - SAC BIT MIN-D25 - 1212512



SAC nut, for assembling 7/8" connectors, with 4 mm hexagonal drive

Torque tool

Torque screwdriver - TSD 08 SAC - 1212597



Torque screw driver with preset torque of 0.8 Nm, with 4 mm hexagon for accommodating SAC bits, two-component handle with non-slip grip

Torque screwdriver - TSD-M 1,2NM - 1212224

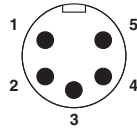


Torque screw driver, accuracy as per EN ISO 6789 standard, adjustable from 0.3 - 1.2 Nm

Drawings

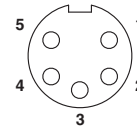
Power cable - SAC-5P-MINMR/1,5-441/MINFR PWR - 1419904

Schematic diagram



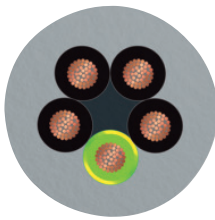
Pin assignment, plug, 7/8"-16UNF, 5-pos., view of male side

Schematic diagram



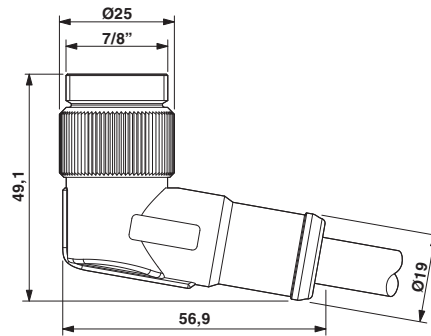
Pin assignment, socket, 7/8"-16UNF, 5-pos., view of female side

Cable cross section



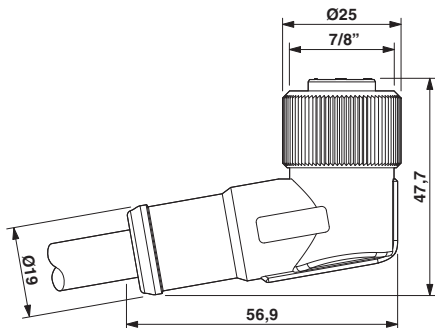
PUR/PVC gray [441]

Dimensioned drawing



7/8"-16UNF plug, angled

Dimensioned drawing



7/8"-16UNF socket, angled

Circuit diagram



Contact assignment of the 7/8" connector and the 7/8" socket