

Datasheet

USB EDC Vertical 2ME series

- Cost-effective MLC
- Excellent data transfer speed
- Wear-leveling supported
- Low power consumption
- Pin pitch 2.54mm

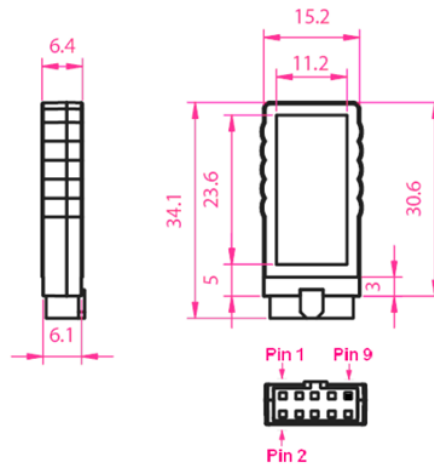


Introduction

The Innodisk USB EDC (Embedded Disk Card) products provide high capacity USB flash memory storage that electrically complies with High-speed USB 2.0 interface & backward compatible with USB 1.1. The device features attractive small form factor and the connectivity over USB2.0 and the NAND flash architecture provide a faster data transmission.

USB EDC Vertical 2ME series

Drawing



Contact us for more information
about the USB EDC Vertical 2ME

Innodisk is a service-driven provider of industrial embedded flash and DRAM storage products and technologies, with a focus on the cloud computing, industrial/embedded, and aerospace and defense industries.

Headquarters (Taiwan)

9F., No.100, Sec. 1, Xintai 5th Rd.,
Xizhi Dist., New Taipei City,
Taiwan (R.O.C.)
Tel: +886-2-26963000
Email: sales@innodisk.com

Branch Offices:

USA
usasales@innodisk.com
+1-510-770-9421
Europe
eusales@innodisk.com
+31-040-282-1818
Japan
jpsales@innodisk.com
+81-3-6661-9846
China
sales_cn@innodisk.com
+86-755-21673689
www.innodisk.com

© 2012 Innodisk Corporation.
All right reserved. Specifications
are subject to change without
prior notice.

20130911

Specifications

Interface	USB 2.0
Flash Type	MLC
Connector	Standard, 10pin, 2.54mm
Flash P/E cycle	3,000
Capacity	4GB~32GB
Max. Channels	1
Sequential R/W (MB/sec, max.)	25 / 17
Max. Power Consumption	0.85 W (5V X 170mA)
H/W Write Protect	-
S.M.A.R.T.	v (v3.2.2 or newer version)
Dimension (WxLxH)	15.2 x 34.1 x 6.4 mm
Environment	Vibration: 5G @7~2000Hz Shock: 50G @ 0.5ms Storage Temperature: -55°C ~ +95°C MTBF: 3 million hours

Ordering Information

Operation Temp.	4GB	8GB	16GB	32GB
Standard Grade (0°C ~ +70°C)	DEUV1-04GI72AC1SC	DEUV1-08GI72AC1SC	DEUV1-16GI72AC1SC	DEUV1-32GI72AC1SC
Industrial Grade (-40°C ~ 85°C)	DEUV1-04GI72AW1SC	DEUV1-08GI72AW1SC	DEUV1-16GI72AW1SC	DEUV1-32GI72AW1SC