



CONTACTOR RELAY, 2NO+1NC, DC 24V,
0.7...1.25*US, WITH VARISTOR,
3-POLE CAGE CLAMP CONNECTION, SIZE S00

General details:

product brand name		SIRIUS
product designation		contactor relay
Size of the contactor		S00
Protection class IP / on the front		IP20
Degree of pollution		3
Insulation voltage / with degree of pollution 3 / rated value	V	690
Installation altitude / at a height over sea level / maximum	m	2,000
Ambient temperature		
• during transport	°C	-55 ... +80
• during storage	°C	-55 ... +80
• during operating	°C	-40 ... +70
Contact reliability		one incorrect switching operation of 100 million switching operations (17 V, 1 mA)
Resistance against shock		10g / 5 ms and 5g / 10 ms
Impulse voltage resistance / rated value	kV	6
Item designation		
• according to DIN EN 61346-2		K
• according to DIN 40719 extendable after IEC 204-2 / according to IEC 750		K
Mechanical operating cycles as operating time		

- of the contactor / typical
- of the contactor with added auxiliary switch block / typical
- of the contactor with added electronics-compatible auxiliary switch block / typical

30,000,000
10,000,000
5,000,000

Control circuit:

Type of voltage / of the controlled supply voltage

DC

operating range factor control supply voltage rated value / of the magnet coil

- for DC

0.7 ... 1.25

Pull-in power / of the solenoid / for DC

W

11

Holding power / of the solenoid / for DC

W

4

Design of the surge suppressor

with varistor

Auxiliary circuit:

Product extension / auxiliary switch

Yes

Identification number and letter for switching elements

21 E

Contact reliability / of the auxiliary contacts

1 faulty switching per 100 million (17 V, 1 mA)

Number of NC contacts / for auxiliary contacts

- delayed switching
- instantaneous switching
- asynchronous switching
- lagging switching

1
0
1
0
0

Number of NO contacts / for auxiliary contacts

- instantaneous switching
- delayed switching
- asynchronous switching
- leading switching

2
2
0
0
0

Number of changeover contacts

- for auxiliary contacts
- of the auxiliary contacts / instantaneous switching

0
0

[nicht versorgt: PMD_ABP551_001_000]

- [nicht versorgt: PMD_ABP551_001_000]

-
- at 690 V

A 2
A 1

- [nicht versorgt: PMD_ABP553_001_000]

- [nicht versorgt: PMD_ABP553_001_000]

-
-
-

A 10
A 3
A 1

- [nicht versorgt: PMD_ABP558_001_000]

-
-
-

A	10
A	1
A	0.27

Short-circuit:

Design of the fuse link / for short-circuit protection of the auxiliary switch / required

fuse gL/gG: 10 A

Installation/mounting/dimensions:

mounting position

+/-180° rotation possible on vertical mounting surface; can be tilted forward and backward by +/- 22.5° on vertical mounting surface

Type of mounting

screw and snap-on mounting

Width

mm

45

Height

mm

60

Depth

mm

73

Distance, to be maintained, to the ranks assembly / sideways

mm

0

Connections:

Design of the electrical connection / for auxiliary and control current circuit

Cage Clamp terminals

Type of the connectable conductor cross-section

- for auxiliary contacts

- solid

- finely stranded

- with conductor end processing

- without conductor final cutting

- for AWG conductors / for auxiliary contacts

2x (0.25 ... 2.5 mm²)

2x (0.25 ... 1.5 mm²)

2x (0.25 ... 2.5 mm²)

2x (24 ... 14)

Certificates/approvals:

Verification of suitability

CSA / UL / CCC / GL / LRS / BV / DNV / RMRS / RINA

General Product Approval

Functional Safety / Safety of Machinery

Declaration of Conformity



CCC



CSA



GOST



UL

[Type Examination](#)



EG-Konf.

Test Certificates

[Special Test Certificate](#)

Shipping Approval



ABS



BUREAU VERITAS



DNV



GL



LRS



PRS

Shipping Approval

other



RMRS

[other](#)

[Environmental Confirmations](#)

Safety:

Proportion of dangerous failures

- with high demand rate / according to SN 31920
- with low demand rate / according to SN 31920

%

75

%

40

T1 value / for proof test interval or service life / according to IEC 61508

a

20

Protection against electrical shock

finger-safe

B10 value / with high demand rate / according to SN 31920

1,000,000

Further information:

Information- and Downloadcenter (Catalogs, Brochures,...)

<http://www.siemens.com/industrial-controls/catalogs>

Industry Mall (Online ordering system)

<http://www.siemens.com/industrial-controls/mall>

CAX-Online-Generator

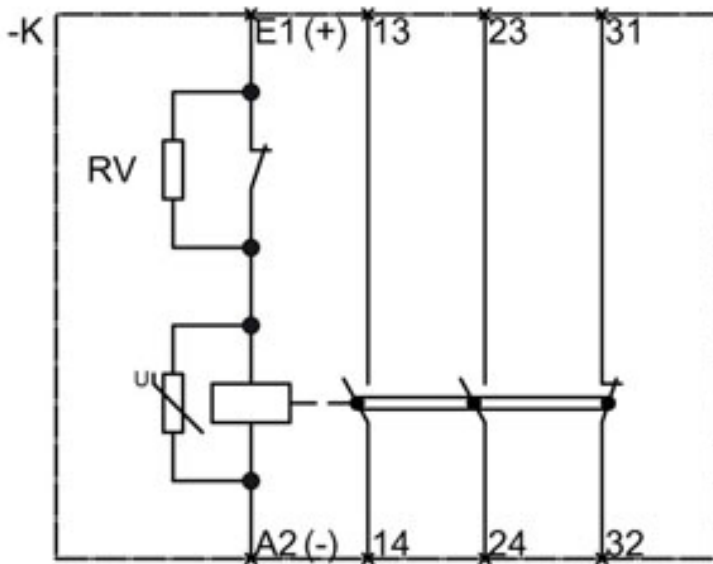
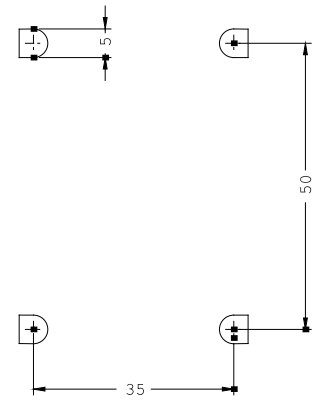
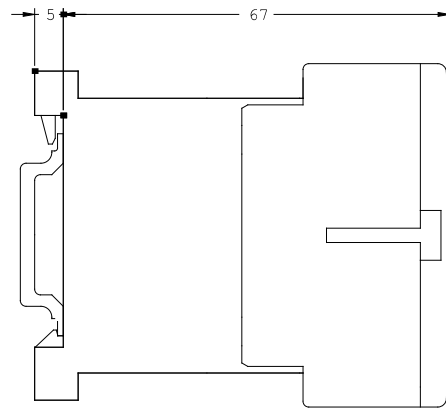
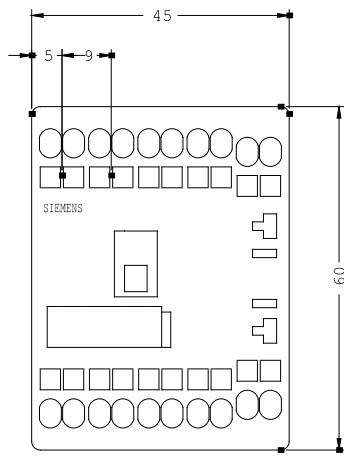
<http://www.siemens.com/cax>

Service&Support (Manuals, Certificates, Characteristics, FAQs,...)

<http://support.automation.siemens.com/WWW/view/en/3RH1122-2KB40-0LA0/all>

Image database (product images, 2D dimension drawings, 3D models, device circuit diagrams, ...)

http://www.automation.siemens.com/bilddb/cax_en.aspx?mlfb=3RH1122-2KB40-0LA0



last change:

Feb 26, 2013