

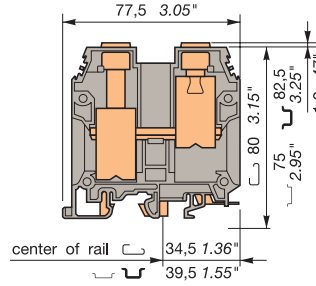
Standard terminal blocks

Compression clamp

 **DIN 1 - 3**




M 70/22...

Spacing 22 mm -0,1 (.866")



Standard 22 mm block with partition. Tighten clamp with 6 mm Allen Key.



Color	Type	Part numbers
Grey	 M 70/22	0115 216.13
Blue	 M 70/22.N	0125 216.15
Beige V0	 M 70/22.V0	0195 216.14

Characteristics

Wire size	Wire size		
	IEC NFC DIN	UL	CSA
Compression Solid wire	16-95 mm ²	6-000 AWG	6-000 AWG
clamp Stranded wire	16-70 mm ²	6-000 AWG	6-000 AWG

Voltage			
Rated	800 V	600 V	600 V
Pulse	8 kV		
Pollution degree	3		

Current			
Rated	192 A	175 A	150 A

Wire size			
Rated / Gauge	70 mm ² / B11	000 AWG	000 AWG
Wire stripping length	Recomm. tool	Recomm. torque	Protection
25 mm	6 mm Allen Key	6-7 Nm	IP20
.98"	.236" Allen Key	52-61 lb.in	NEMA 1

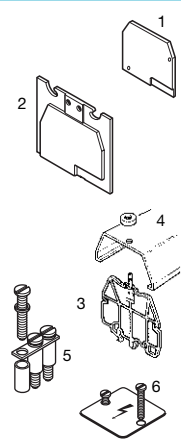
End stop	th. 9,1 mm	BAMH	0114 836.00
End stop	th. 12 mm	BADH	0116 900.27
End stop	th. 12 mm	BAEH	0116 934.04
Rail	35 x 7,5 x 1	PR30 prepunched	0173 220.05
Rail	35 x 15 x 2,3	PR4	0168 500.12
Rail	35 x 15 x 1,5	PR5 prepunched	0101 598.26
Rail	32 x 15 x 1,5	PR1Z2	0163 050.04

Other end stops and rails : See Accessories section

Notes

The use of some accessories may decrease the block's voltage rating. For more information, consult us.

Accessories



1 End section	grey yellow beige	FEM22	th. 3,0 mm	0113 065.15
2 Separator end section	grey beige	FEM22 V0	V0 th. 3,0 mm	0103 881.14 0193 065.16
3 Separator end section for cover CPV	grey beige	SCF22	th. 3,0 mm	0113 851.16
4 Protective cover		SCF22 V0	V0 th. 3,0 mm	0193 851.17
5 Jumper bar not assembled	192 A	SCFCV4	(1) th. 3,0 mm	0116 797.13
	192 A	SCFCV4 V0	V0 (1) th. 3,0 mm	0196 797.14
	192 A	CPV4	(for SCFCV4...)	0176 791.21
	192 A	BJS22	(2) 2 poles	0173 316.21
	192 A	BJS22	(2) 3 poles	0173 317.22
	192 A	BJS22	(2) 5 poles	0173 318.03
	192 A	BJS22	(2) 10 poles	0173 319.04
		VSJ51		0173 320.01
		RDJ51		0173 331.20
6 Protection label		EP223	3 blocks	0173 327.24
		EP224	4 blocks	0173 328.05
		VSP22		0173 323.20



R See section on marking method

Note : (1) End sections and circuit separators snapped on rails.
(2) Use of these accessories requires the user to cut out the partition.

Standard terminal blocks

Compression clamp

DIN 1 - 3

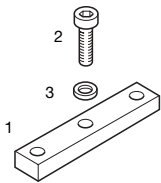
End stop	th. 9,1 mm	BAMH	0114 836.00
End stop	th. 12 mm	BAEH	0116 934.04
End stop	th. 12 mm	BADH	0116 900.27
Rail	35 x 7,5 x 1	PR30 prepunched	0173 220.05
Rail	35 x 15 x 2,3	PR4	0168 500.12
Rail	35 x 15 x 1,5	PR5 prepunched	0101 598.26
Rail	32 x 15 x 1,5	PR1Z2	0163 050.04

Other end stops and rails : See Accessories section

Notes

The use of some accessories may decrease the block's voltage rating. For more information, consult us.

Accessories



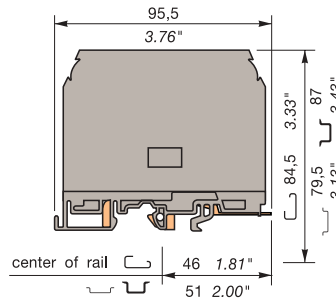
1	Jumper bar not assembled	232 A
		232 A
		232 A
		232 A
2	Screw CHC M5 for BJS	
3	Washer for VSJ	



R See section on markers marking method

M 95/26...

Spacing 26 mm (1.02")



Standard 26 mm block. Delivered with end plate. Tighten clamp with 6 mm Allen Key.



Color	Type	Part numbers
Grey	M 95/26	0115 556.10
Blue	M 95/26.N	0125 556.12
Beige V0	M 95/26.V0	0195 556.11

Characteristics

	IEC		UL	CSA
	NFC	DIN		
Compression clamp	Solid wire	35-120 mm ²	4-0000 AWG	4-0000 AWG
	Stranded wire	35-95 mm ²		

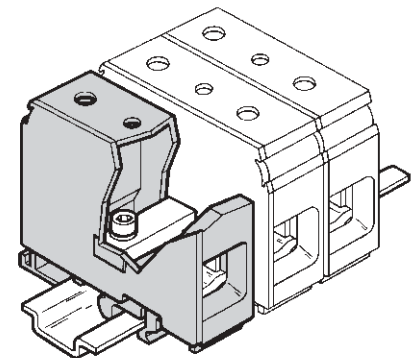
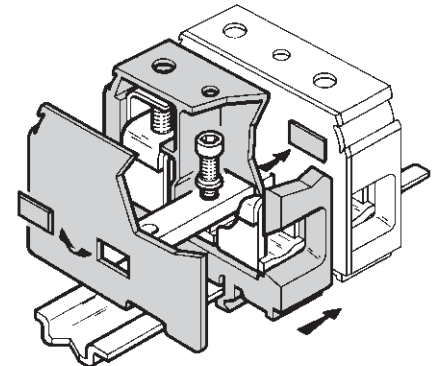
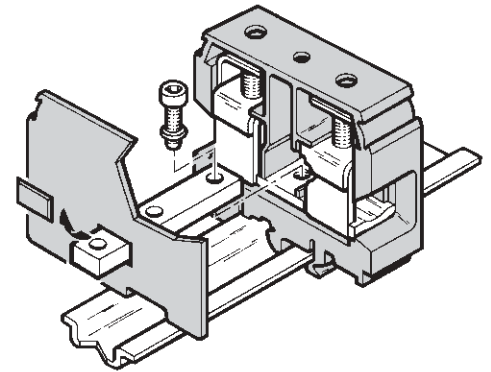
Voltage			
Rated	1000 V	600 V	600 V
Pulse	8 kV		
Pollution degree	3		

Current			
Rated	232 A	230 A	250 A

Wire size			
Rated / Gauge	95 mm ² / B12	0000 AWG	0000 AWG
Wire stripping length	Recomm. tool	Recomm. torque	Protection
26 mm	6 mm Allen Key	8,5-9,5 Nm	IP 10
1.02"	.236" Allen Key	74-83 lb.in	

Type	Part numbers
BJS261 (1)	2 poles 0177 508.07
BJS261 (1)	3 poles 0177 509.00
BJS261 (1)	5 poles 0177 510.24
BJS261 (1)	10 poles 0177 511.11
VSJ51	0173 320.01
RDJ51	0173 331.20

Installation of jumper bar



⑪ ⑰ ⑳

Note : (1) Use of these accessories requires the user to cut out the partition.