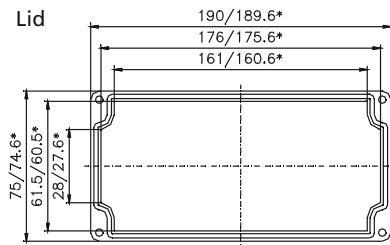


Type: **02.08 19 08**

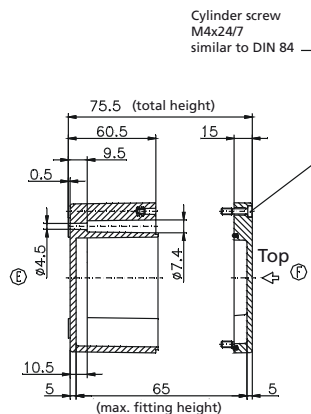
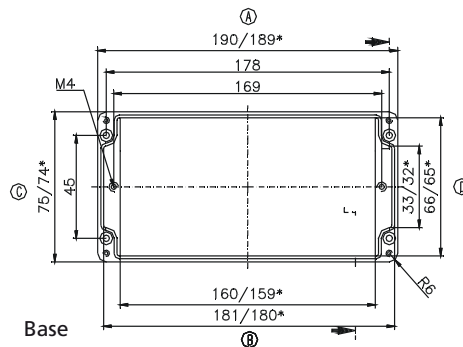
External dimensions: **75 x 190 x 75 mm**

Weight: **620 g**

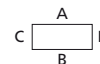
DIN rail length in mm	max. fitting length in mm	Mounting plate (thickness in mm)	External mounting brackets	External hinge* set	EMC version	Allen lid screws	Silicone lid seal	Sealable lid screws
TS 15								
174	159	2	•		•	•	•	•



\* = Conical form tapering downwards  
Free dimensions-tolerance to DIN 16901 - 130



Maximum number of cable glands to **DIN 50262\***



M	Corner dim.	Side		PG	Corner dim.	Side	
		A	C			B	D
12	17.25	28	6	7	17.25	27	5
16	25.30	12	2	9	21.85	18	3
20	27.60	12	2	11	25.30	12	2
25	37.95	5	1	13.5	27.60	12	2
32	48.30	3	1	16	31.05	10	1
40	60.95			21	37.95	5	1
50	69.00			29	48.30	3	
63	74.75			36	60.95		
				42	69.00		
				48	74.75		

\* Please quote mounting side