



PRODUCT DATASHEET

Oslo series

last update 14/5/2014

DETAILS

Product Number	F12237_OSLO-CLUSTER-W
Family	Oslo
Type	Lens array
Color	clear
Diameter	26 mm
Height	6.7 mm
Style	round
Optic Material	PMMA
Holder Material	
Fastening	pin, glue
Status	ready
ROHS Compliant	Yes
Date Updated	14/05/2014



OPTICAL PROPERTIES

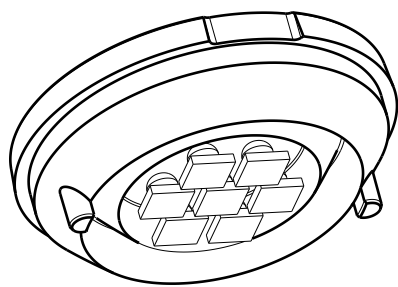
LED	Viewing Angle	Light Beam	Efficiency	cd/lm	Connector
XP-G	sim:	Wide	-	sim: 0.000	-
Oslo SSL 150	sim:	Wide	-	sim: 0.000	-
Oslo SSL 80	64 deg	Wide	91 %	-	-
XP-E	64 deg	Wide	84 %	-	-

D

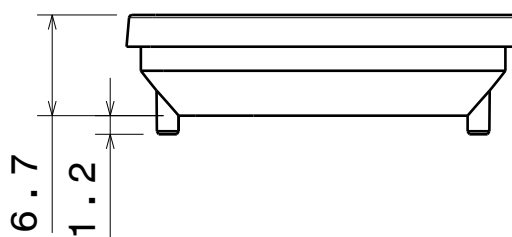
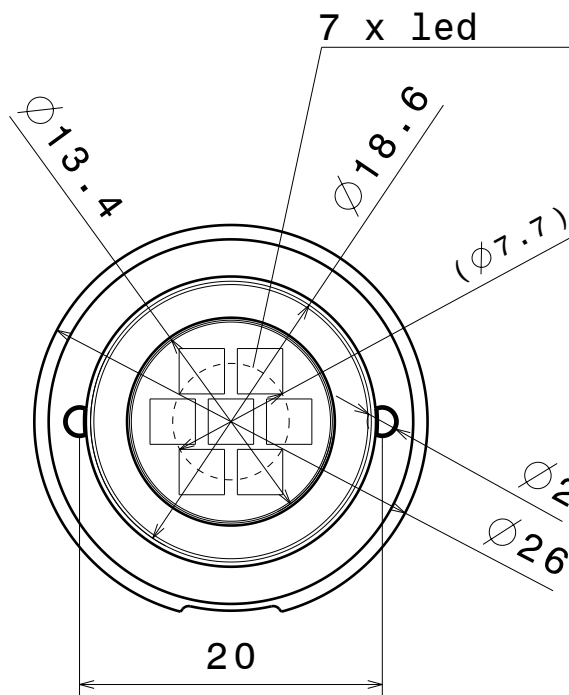
C

B

A



Isometric view
Scale: 2:1



Material: PMMA
 Part no.s:
 F11355_Oslo-Cluster-W-OSL
 F11355_Oslo-Cluster-W-XP
 F11355_Oslo-Cluster-W-RE
 F11355_Oslo-Cluster-W-N119

This drawing is our property.
 It can't be reproduced
 or communicated without
 our written agreement.



L
T
F
F

e
e
i
i
N
n

d
h

DRAWING TITLE

Datasheet Oslo-Cluster-W Series

DRAWN BY

DATE

p

24.05.2010

CHECKED BY

DATE

t

k

24.05.2010

DESIGNED BY

DATE

hh

24.05.2010

SIZE

A4

DRAWING NUMBER

F11355

REV

1

SCALE

2:1

WEIGHT (g)

SHEET

1/1

D

A

4

4

3

3

2

2

1

1

NOTE: The typical divergence will be changed by different color, chip size and chip position tolerance. The typical total divergence is the full angle measured where the luminous intensity is half of the peak value.