


Ordering number C11818
Description 1

Family	Strada-SQ	FWHM	Asym degrees
Type	Lens	Efficiency	(simulated) 0 %
LED	Z5	cd/lm	-
Color	Clear	Gerber File	Available
Diameter	25 + 25 mm		
Height	10.67 mm		
Style	Square		
Optic Material	PMMA		
Holder Material	-		
Fastening	-		
Status	Ready		

Ordering number CA11819
Description 1

Family	Strada-SQ	FWHM	Asym degrees
Type	Assembly	Efficiency	(simulated) 0 %
LED	Z5	cd/lm	-
Color	Clear	Gerber File	Available
Diameter	25 + 25 mm		
Height	10.82 mm		
Style	Square		
Optic Material	PMMA		
Holder Material	-		
Fastening	-		
Status	Ready		



PRODUCT DATASHEET
Strada-SQ series
last update 14/11/2012



NOTE: The typical divergence will be changed by different color, chip size and chip position tolerance. The typical total divergence is the full angle measured where the luminous intensity is half of the peak value.

D

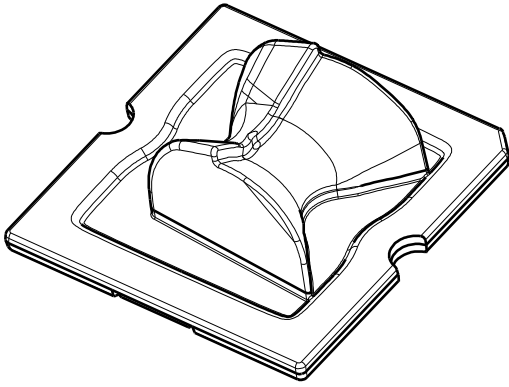
C

B

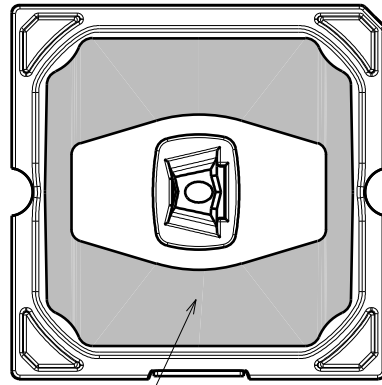
A

4

4



Isometric view

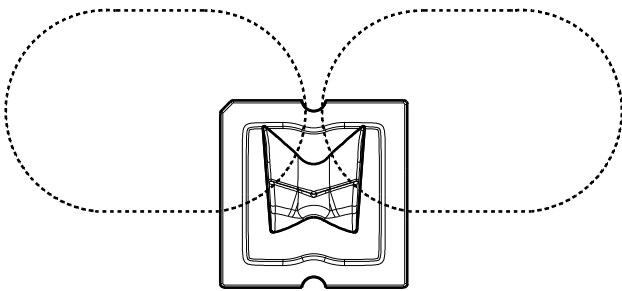


0.4mm tape

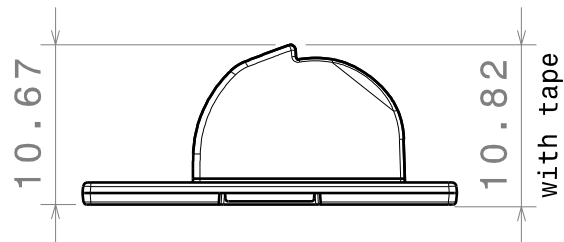
Bottom view

3

3



Beam direction



Front view

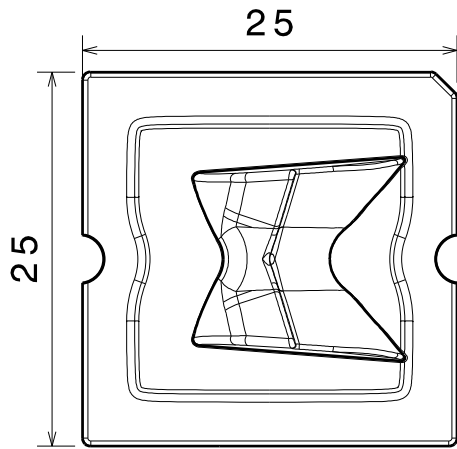
2

2

Part no.s:
 C11818_Strada-SQ-T-DW-XP
 C11818_Strada-SQ-T-DW-XP-G

Part no.s with tape:
 CA11819_Strada-SQ-T-DW-XP-TAPE
 CA11819_Strada-SQ-T-DW-XP-G-TAPE

MATERIALS
 Lens: PMMA
 Tape(optional): PU Foam



Top view

This drawing is our property.
 It can't be reproduced
 or communicated without
 our written agreement.



Ledil Oy
 Tehdaskatu 13
 FIN-24100 SALO
 Finland

DRAWING TITLE

Datasheet Strada-SQ-T-DW-XP Lens

DRAWN BY

mav

DATE

01.12.2010

CHECKED BY

pv

DATE

01.12.2010

SIZE

A4

DRAWING NUMBER

C11818

REV

1

DESIGNED BY

hh

DATE

01.12.2010

SCALE

2:1

WEIGHT (g)

SHEET

1/1

D

A

1

1