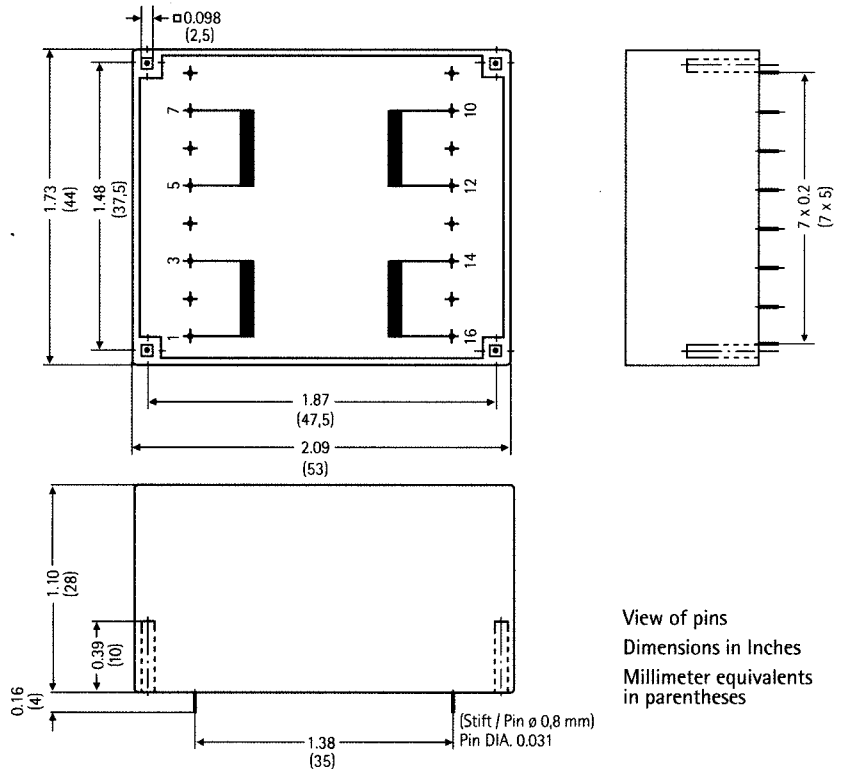


Type UI 30/16,5 10 VA

Range available ex stock*

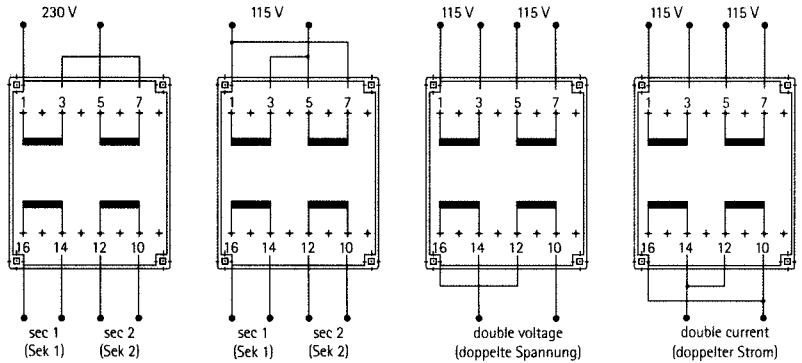
VDE 0551/EN 60742
 Potted under vacuum
 Split-bobbin transformers
 Temperature class t_a 40°C/E

- * Other primary and secondary voltages on request
- * Other temperature classes on request
- * CCA-Certificate available
- * Weight 0,24 kg
- * Fixing material for $\square 0,098$ inch (2,5 mm):
 Self-tapping screws DIN 7513 (M 3 x 8...)
 Sheet-metal screws DIN 7971 (2,9 x 6,5...)



View of pins
 Dimensions in Inches
 Millimeter equivalents in parentheses

Connection possibilities



Primary	Pin	Secondary	No-Load Voltage	Pin	Types Ref. No.	Approvals
2x115 V	1-3/7-5	6 V 833 mA/ 6 V 833 mA	9,00 V/ 9,00 V	10-12/16-14	BV 030-7073.0 L	1 · 2 · 3 · 4 · 5 · 10
RS 207-5854 2x115 V	1-3/7-5	9 V 555 mA/ 9 V 555 mA	13,40 V/13,40 V	10-12/16-14	BV 030-7076.0 L	1 · 2 · 3 · 4 · 5 · 10
RS 207-5860 2x115 V	1-3/7-5	12 V 416 mA/12 V 416 mA	17,20 V/17,20 V	10-12/16-14	BV 030-7079.0 L	1 · 2 · 3 · 4 · 5 · 10
RS 207-5876 2x115 V	1-3/7-5	15 V 333 mA/15 V 333 mA	21,70 V/21,70 V	10-12/16-14	BV 030-7082.0 L	1 · 2 · 3 · 4 · 5 · 10
RS 207-5882 2x115 V	1-3/7-5	18 V 277 mA/18 V 277 mA	24,80 V/24,80 V	10-12/16-14	BV 030-7085.0 L	1 · 2 · 3 · 4 · 5 · 10
RS 207-5898 2x115 V	1-3/7-5	21 V 238 mA/21 V 238 mA	29,50 V/29,50 V	10-12/16-14	BV 030-7088.0	2 · 3 10

Specifications subject to change without notice.

