

**PLEASE CHECK WWW.MOLEX.COM FOR LATEST PART INFORMATION**

**Part Number:** [73138-5033](#)  
**Status:** **Active**  
**Overview:** [BNC RF Connectors](#)  
**Description:** BNC 50 Ohm, Right-Angle, PCB Bulkhead Jack Receptacle, Die Cast Zinc Alloy Body, Nickel Plated

**Documents:**

[Drawing \(PDF\)](#) [RoHS Certificate of Compliance \(PDF\)](#)

**General**

|                 |                                   |
|-----------------|-----------------------------------|
| Product Family  | RF/Coax Connectors                |
| Series          | <a href="#">73138</a>             |
| MolexKits       | Yes                               |
| Overview        | <a href="#">BNC RF Connectors</a> |
| Product Name    | BNC                               |
| Style           | PCB                               |
| UPC             | 800753691698                      |
| Wire/Cable Type | N/A                               |

**Physical**

|                             |              |
|-----------------------------|--------------|
| Cable Attachment            | N/A          |
| Gender                      | Jack         |
| Keying to Mating Part       | None         |
| Net Weight                  | 22.183/g     |
| Orientation                 | Right Angle  |
| PCB Mounting                | Through Hole |
| PCB Thickness - Recommended | 3.20mm       |
| Packaging Type              | Bag          |
| Panel Mount                 | Yes          |
| Panel Mount Method          | Bulkhead     |

**Electrical**

|           |     |
|-----------|-----|
| Impedance | 50# |
|-----------|-----|

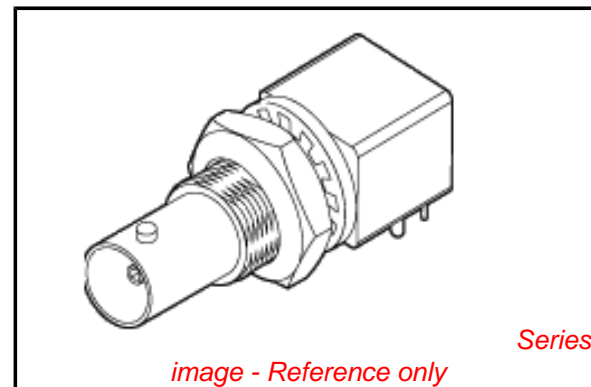
**Solder Process Data**

|                              |                        |
|------------------------------|------------------------|
| Lead-free Process Capability | Wave Capable (TH only) |
| Process Temperature max. C   | 245                    |

**Material Info**

**Reference - Drawing Numbers**

|                       |               |
|-----------------------|---------------|
| Product Specification | RPS-73138-002 |
| Sales Drawing         | SD-73138-5033 |



**EU RoHS**

**RoHS Compliant RF Product**

**REACH SVHC**

**Contains SVHC: No**

**Low-Halogen Status**

**Low-Halogen**

**China RoHS**



**Need more information on product environmental compliance?**

Email [productcompliance@molex.com](mailto:productcompliance@molex.com)  
 For a multiple part number RoHS Certificate of Compliance, [click here](#)

Please visit the [Contact Us](#) section for any non-product compliance questions.

**Search Parts in this Series**

73138Series