



SERVERS

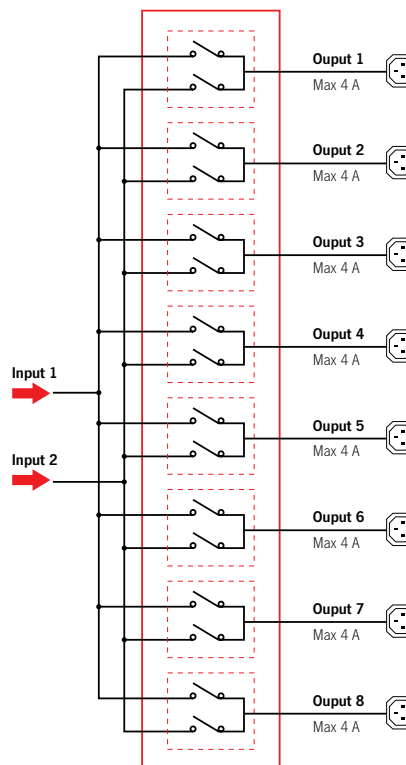
# Multi Switch STS

## 16A

Single-phase

### Highlights

- Dual AC power sources
- Load protection
- Versatile



MULTI-SWITCH is a rackmount source transfer switch that can supply up to eight loads from two AC power sources. Should one source fail, the other automatically powers the load. The sources can be two separate AC sources including mains power and UPS, or a combination of the two.

#### Operating Principal

The MULTI-SWITCH provides electrical distribution and remote management for up to eight network users, powered from two direct mains supplies or UPS or a combination of both. The MULTI-SWITCH can connect each load (up to eight, each with a maximum power demand not greater than 4A), to either of the two power sources (1 and 2). Load demand is shown on the LCD.

See "principle of operation" diagram.

### Protection against power supply faults

If one of the two power source fails or falls outside specification, MULTI-SWITCH will transfer the connected loads to the second power source (switching is instantaneous even if the two sources are not in phase).

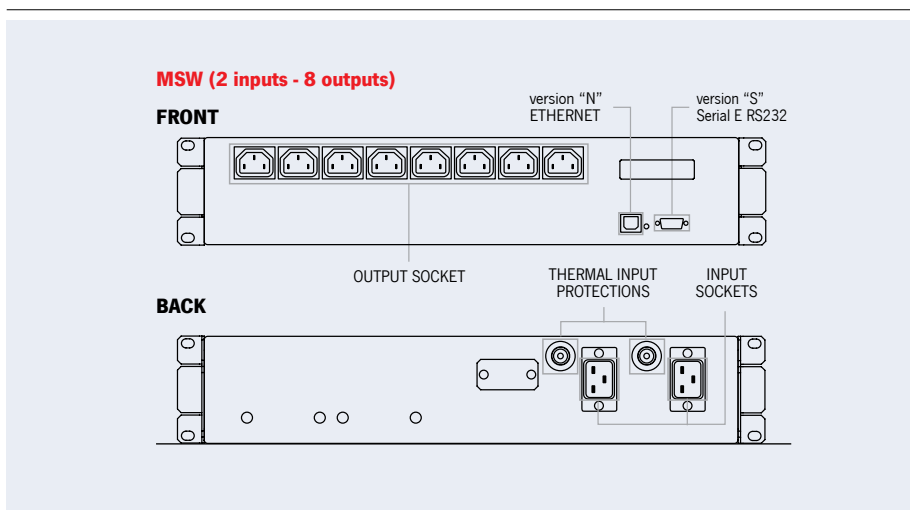
### Protection against load faults

If a fault occurs with one of the loads (for example due to a short-circuit or overload), MULTI-SWITCH will disconnect the load to prevent disruption to the others. MULTI-SWITCH protects sensitive installations from both power and hardware faults.

### Features

- Full load protection against mains and load failures
- Versatile: Multi-Switch can be powered from 2 different power supplies (2 UPS devices even of different sizes/types)

- 19" cabinet installation
- LCD display for monitoring measurements / alarms / status
- Can be connected to PowerNetGuard supervision software (Ethernet version)
- No signal connection between the MULTI-SWITCH and the power sources or mains power supplies is necessary
- Visualisation software
- Network interface.



MODELS	MSW
POWER	16A
INPUT	
Nominal voltage	180 - 276 Vac
Nominal frequency	50 or 60 Hz
Max load for every input (A)	16
Input sockets	2 IEC 320 (16A)
OUTPUT	
Nominal voltage	two input power sources
Max load for every output (A)	4
Output socket	8 IEC 320 10A
INFO FOR INSTALLATION	
Weight (kg)	10
Dimensions (hwd) (mm)	2U x 19" x 360
Ambient temperature	0°C / +40°C
Relative humidity	< 95% non-condensing
Protection devices	Overcurrent - overvoltage - undervoltage - thermal - protection against energy back-feed
Max altitude	3000 m
Max altitude (in storage conditions)	6000 m; 45 °C
Communication	RS232 in MSW-S / Ethernet in MSW-N
Colour	Dark grey RAL 5004
Protection level	IP20
Noise level	< 35 dBA a 1 m