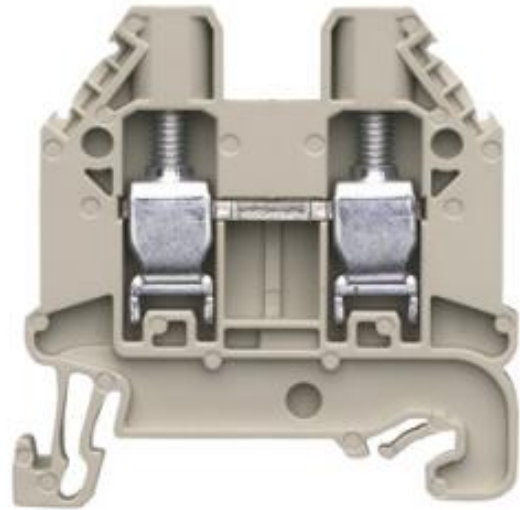


Datasheet

Art.No. 58.506.0055.0

Feed-through terminal WT 6

Feed-through DIN rail terminal block with screw connection for mounting on TS 35; nominal cross section 6 mm²; width 8 mm; color gra



Art.No.	58.506.0055.0
EAN	4049088154065
Order unit	100 pieces

Approvals



Technical data

General

Nominal cross section	6 mm ²
Colour	Grey
Number of levels	1
Number of clamp positions per level	2
Width/grid dimension	8 mm
Insulating housing	PA666
Inflammability class of insulation material acc. with UL94	V0
Mounting method	DIN rail (top hat rail)
Terminal blocks for electrical installations	Yes

Technical data

Rated current	41 A
Rated voltage	1000 V
Rated impulse voltage	8 kV
Pollution degree	3
Closing plate required	Yes
Type of insulation material	Thermoplastic
Length	48 mm
Width	8 mm
Height	48 mm

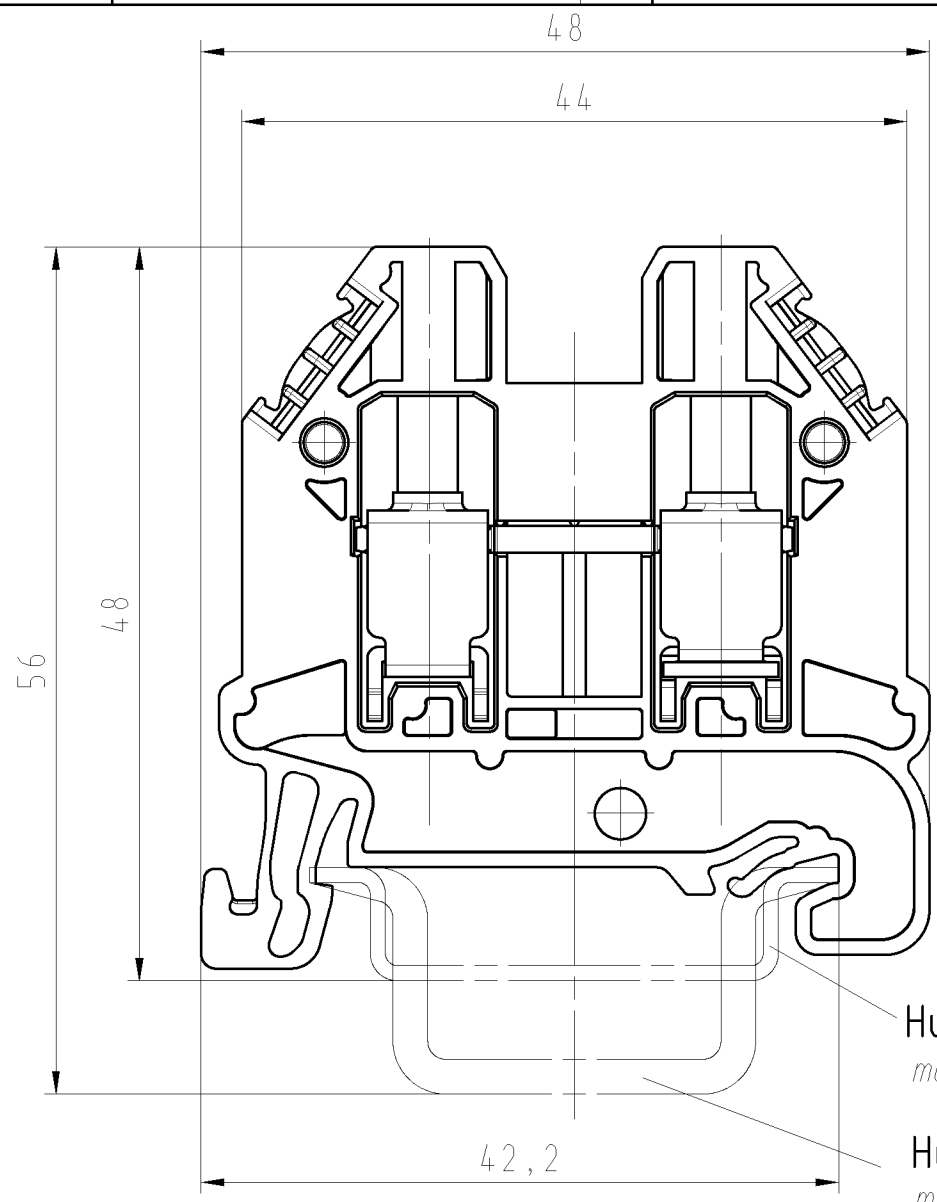
Connection Data

Connection type 1	Screw connection
-------------------	------------------

Connection type 2	Screw connection
Minimum cross section solid	0.2 mm ²
Maximum cross section solid	10 mm ²
Minimum cross section fine stranded	0.2 mm ²
Maximum cross section fine stranded	10 mm ²
Maximum conductor cross section (flex., stranded) with cable end sleeve	0.5 mm ²
Maximum conductor cross section (flex., stranded) with cable end sleeve	6 mm ²
Wire strip length	11 mm
Torque conductor mounting	1.2 Nm

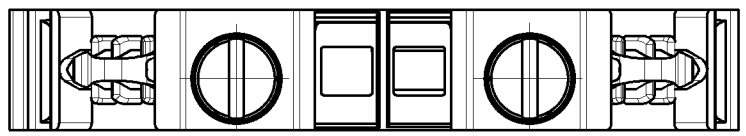
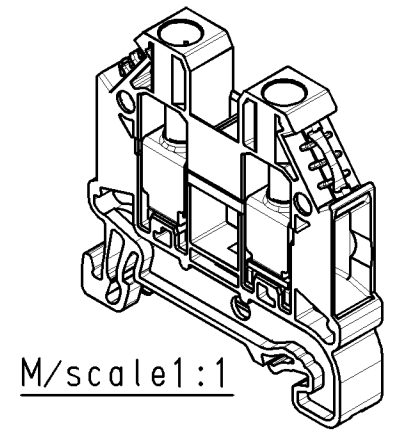
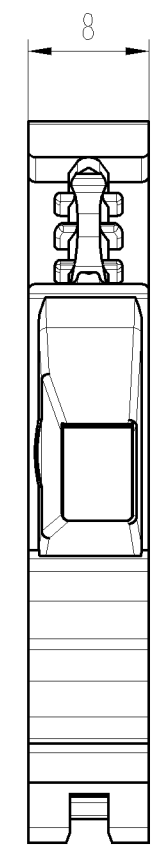
Technical Data UL/CSA

Cross section UL	24-8 AWG
Voltage UL	600 V
Current factory wiring	50 A
Current field wiring	50 A
Cross section CSA	24-8 AWG
Voltage CSA	600 V
Current CSA	50 A



Hutschiene EN 60715-35x7,5
mounting rail EN 60715-35x7,5

Hutschiene EN 60715-35x15
mounting rail EN 60715-35x15



These dimensions will be especially checked at delivery
 Only inspection dimensions
 With /E marked dimensions are only valid for internal use

Diese Maße werden bei Abnahme besonders geprüft
 Ausschließlich Prüfmaße
 Mit /E gekennzeichnete Maße sind nur für interne Zwecke gültig

Teile - Nr. <i>part - no.</i>	Farbe <i>colour</i>
58.506.0055.0	grau <i>grey</i>
58.506.0055.1	schwarz <i>black</i>
58.506.0055.2	weiß <i>white</i>
58.506.0055.4	braun <i>brown</i>
58.506.0055.5	rot <i>red</i>
58.506.0055.6	blau <i>blue</i>
58.506.0055.7	grün <i>green</i>
58.506.0055.8	gelb <i>yellow</i>
58.506.0055.9	orange <i>orange</i>

Tolerierung Size ISO 14405 (E)/Tolerance system Size ISO 14405 (E).
 (This ISO-standard describes the envelope principle. According to the envelope principle the deviations of form and parallelism are limited by the size tolerances).

ja/yes Stoffverbots- und Deklarationsliste nach UU-TOM-05/03 ist einzuhalten.
 Conformity with Wieland document UU-TOM-05/03 (list of prohibited / declarable hazardous substances) to be declared!

Freitoleranz nach General tolerance		CAD - Zeichnung, keine manuellen Änderungen CAD - drawing, no manual modifications allowed		1. Verwendung: - First Use:		Blatt: 1 von 1 Sheet: of	
/		Werkstoff/Material		2013 Tag/Date Name		Zeichnung Nr./Drawing No. Index	
/		Maßstab/Scale		gezeichnet drawn 21.01. Eller		T 58.506.0055.0 01K	
/		2:1		geprüft checked - -		Maße in mm/Dimensions are in mm	
/		Vol. mm ³ Ofl./Surf. mm ²		Normgepr. Stand. check - -		Ersatz für/Replacement for: -	
/		wieland		Type		Benennung/Title	
/		Elektrische Verbindungen		WT 6		DURCHGANGSKLEMME through terminal	
Index Datum / Blatt Date / Sheet		Änderung/Revision					

585060055001K_2_CADW3070_U0016728_2013-01-22T09:55:27 1.000