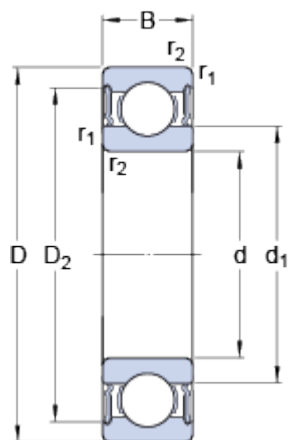


# 6311-2RS1

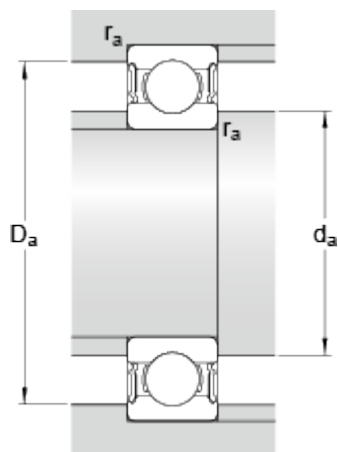
SKF Explorer

## Dimensions



$d$		55	mm
$D$		120	mm
$B$		29	mm
$d_1$	≈	75.34	mm
$D_2$	≈	103.7	mm
$r_{1,2}$	min.	2	mm

## Abutment dimensions



$d_a$	min.	66	mm
$d_a$	max.	75.2	mm
$D_a$	max.	109	mm
$r_a$	max.	2	mm

## Calculation data

Basic dynamic load rating	$C$	74.1	kN
Basic static load rating	$C_0$	45	kN
Fatigue load limit	$P_u$	1.9	kN
Limiting speed		3800	r/min
Calculation factor	$k_r$	0.03	
Calculation factor	$f_0$	13.1	

## Mass

Mass bearing		1.41	kg
--------------	--	------	----