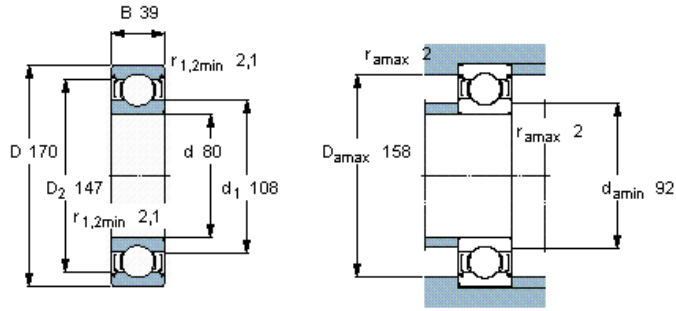




United... Products Bearings, units and... Ball bearings Deep groove ball bearings SKF Energy Efficient (E2) deep groove ball bearings
 Deep groove ball bearings, single row, SKF Energy Efficient (E2) bearings

| Principal dimensions | | | Basic load ratings | | Speed ratings | Limiting speed | Designation |
|----------------------|-----|----|--------------------|--------------------------|-----------------|----------------|---------------|
| d | D | B | dynamic C | static C ₀ | Reference speed | | |
| m.m | | | kN | | r/min | | - |
| 80 | 170 | 39 | 124 | 86,5 | 9500 | 4300 | E2.6316-2Z/C3 |



Calculation factors

k_r 0,03
 f_0 13