



## Datasheet

ENGLISH

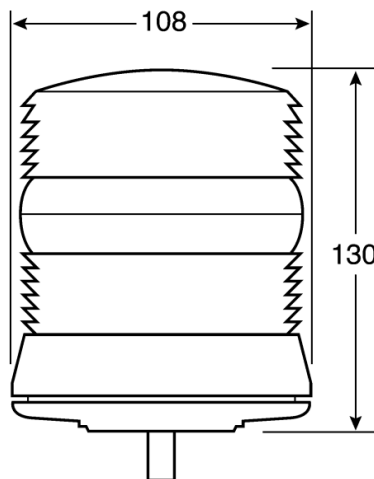
Stock No: 253-837

# RS Pro Xenon Beacon, Green, Flashing, Surface Mount, 10 → 100 V dc

Dimensions (mm):



Image representative of range



## Product Details

### Multi-Voltage Xenon Beacons

A low current consumption beacon, weatherproof to IP56 with a broad voltage range, ideal for battery powered vehicles such as forklift trucks



Broad voltage range: 10-100Vdc

Compact

Low power consumption

Rugged design, sealed to IP56

Choose from either a 2W or 6W version

Nominal flash rate: 75 fpm

Operating temperature range: -30°C to + 50 °C

130mm height

Optional wire guard available for the three point mount version

#### Note

Sealed units

Supplied with

Lens and bulb

### Specifications:

Supply Voltage	10 → 100 V dc
Light Effect	Flashing
Lens Colour	Green
Mounting Style	Surface Mount
Bulb Type	Xenon
Current Type	DC
Base Diameter	108mm
Housing Colour	Black
Lamp Included	Yes
Series	V10991
Height	130mm
Maximum Temperature	+50°C
Minimum Temperature	-30°C