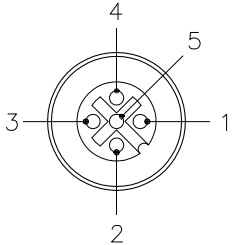
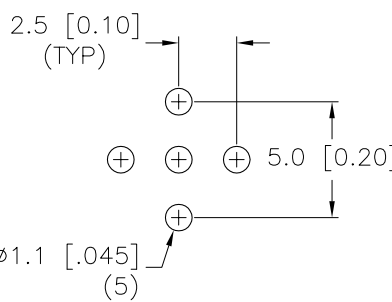
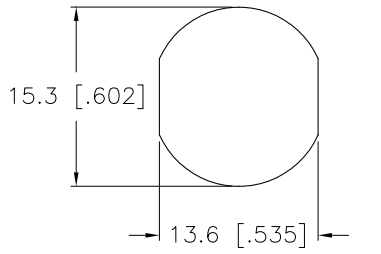

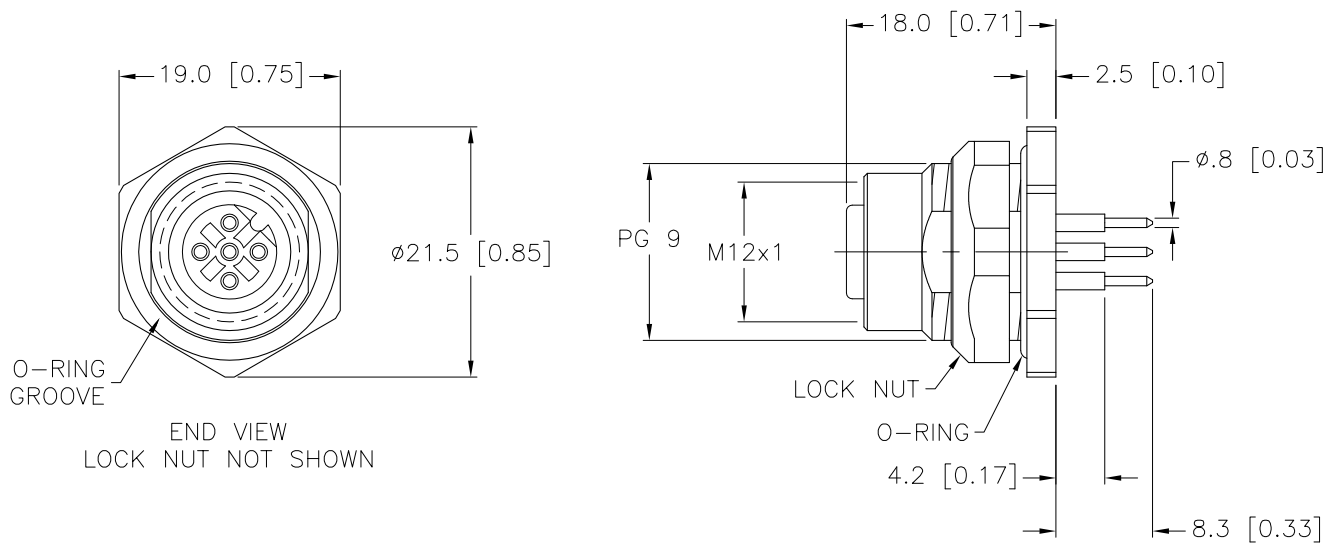
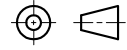


| FEMALE END VIEW | BOARD LAYOUT | SPECIFICATIONS | SPECIFICATIONS | | | | | | | | | | | | | | | | | | | |
|--|--|--|---|--|--------------------------------|---------------------|--------------------------|------------|----------------------------------|--------------|-----------------|---------|-------------------|-------|-------------------|-------|----------------------------|------------------------|-------------------|-----------------------------------|------------------|----------------------------------|
|  |  |  | <table border="1"> <tr> <td>CONTACT CARRIER MATERIAL/COLOR</td> <td>NYLON OR TPU/YELLOW</td> </tr> <tr> <td>CONTACT MATERIAL/PLATING</td> <td>BRASS/GOLD</td> </tr> <tr> <td>HOUSING/LOCKNUT MATERIAL/PLATING</td> <td>BRASS/NICKEL</td> </tr> <tr> <td>O-RING MATERIAL</td> <td>NITRILE</td> </tr> <tr> <td>RATED CURRENT [A]</td> <td>4.0 A</td> </tr> <tr> <td>RATED VOLTAGE [V]</td> <td>250 V</td> </tr> <tr> <td>NUMBER OF CONDUCTORS [AWG]</td> <td>5 PRINTED CIRCUIT PINS</td> </tr> <tr> <td>TEMPERATURE RANGE</td> <td>-40°C to +105°C (-40°F to +221°F)</td> </tr> <tr> <td>PROTECTION CLASS</td> <td>MEETS NEMA 1,3,4,6P AND IEC IP68</td> </tr> </table> | | CONTACT CARRIER MATERIAL/COLOR | NYLON OR TPU/YELLOW | CONTACT MATERIAL/PLATING | BRASS/GOLD | HOUSING/LOCKNUT MATERIAL/PLATING | BRASS/NICKEL | O-RING MATERIAL | NITRILE | RATED CURRENT [A] | 4.0 A | RATED VOLTAGE [V] | 250 V | NUMBER OF CONDUCTORS [AWG] | 5 PRINTED CIRCUIT PINS | TEMPERATURE RANGE | -40°C to +105°C (-40°F to +221°F) | PROTECTION CLASS | MEETS NEMA 1,3,4,6P AND IEC IP68 |
| CONTACT CARRIER MATERIAL/COLOR | NYLON OR TPU/YELLOW | | | | | | | | | | | | | | | | | | | | | |
| CONTACT MATERIAL/PLATING | BRASS/GOLD | | | | | | | | | | | | | | | | | | | | | |
| HOUSING/LOCKNUT MATERIAL/PLATING | BRASS/NICKEL | | | | | | | | | | | | | | | | | | | | | |
| O-RING MATERIAL | NITRILE | | | | | | | | | | | | | | | | | | | | | |
| RATED CURRENT [A] | 4.0 A | | | | | | | | | | | | | | | | | | | | | |
| RATED VOLTAGE [V] | 250 V | | | | | | | | | | | | | | | | | | | | | |
| NUMBER OF CONDUCTORS [AWG] | 5 PRINTED CIRCUIT PINS | | | | | | | | | | | | | | | | | | | | | |
| TEMPERATURE RANGE | -40°C to +105°C (-40°F to +221°F) | | | | | | | | | | | | | | | | | | | | | |
| PROTECTION CLASS | MEETS NEMA 1,3,4,6P AND IEC IP68 | | | | | | | | | | | | | | | | | | | | | |
|  | | | | | | | | | | | | | | | | | | | | | | |



SOURCE DRAWING - FOR REFERENCE ONLY

| | | | | | |
|---|---|---|--|-----------------------------------|--------------|
| RELATED DOCUMENTS 1. 2. 3. 4. | 3RD ANGLE PROJECTION  | THIS DRAWING IS PROPERTY OF TURCK INC. USE OF THIS DOCUMENT WITHOUT WRITTEN PERMISSION IS PROHIBITED. | <div style="display: flex; justify-content: space-between;"> <div data-bbox="1470 1307 1848 1372"> TURCK INC <i>High Technology Sensors and Automation Controls</i> </div> <div data-bbox="1858 1291 2058 1396"> 3000 CAMPUS DRIVE MINNEAPOLIS, MN 55441 1-800-544-7769 (763) 553-7300 (763) 553-0708 fax turck.com </div> </div> | | |
| MATERIAL SEE SPECIFICATIONS | ALL DIMENSIONS DISPLAYED ON THIS DRAWING ARE FOR REFERENCE ONLY | DRFT DF DSGN DF | DATE 12/08/98 SCALE 1=.7 | DESCRIPTION FKFDK 4.5 | |
| FINISH SEE SPECIFICATIONS | CONTACT TURCK FOR MORE INFORMATION | UNIT OF MEASUREMENT MILLIMETER [INCH] DO NOT SCALE THIS DRAWING | | IDENTIFICATION NO. U4506-1 | REV H |
| H DRAWING PROCESSED AS PART OF ECO 33971 | CBM 04/07/11 33971 | FILE: U4506-1 SHEET 1 OF 1 | | | |
| REV DESCRIPTION | BY DATE ECO NO. | SHEET 1 OF 1 | | | |