

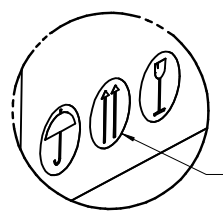
PRODUCT ID LABEL
(1) PER REEL

SEE DETAIL 1

SHIPPER ID LABEL
(1-2)/CARTON AS REQUIRED

PALLETT 0313016630
635 mm X 635 mm
(26" X 26")
(SEE NOTE 6)

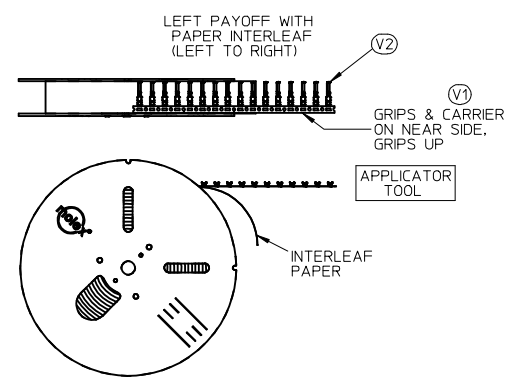
CUSTOMER COPY



NOTE 6

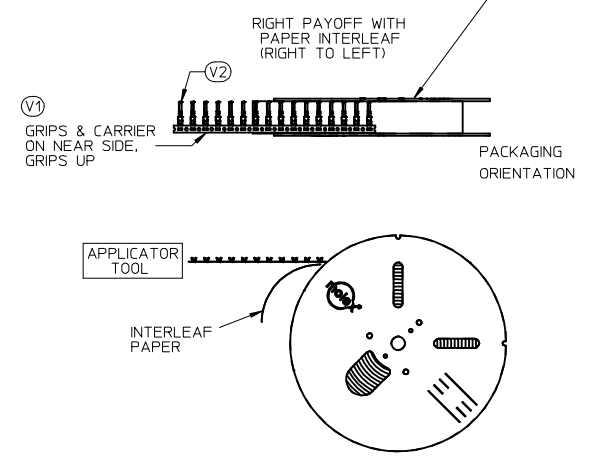
DETAIL 1
SCALE 1:1.33

**PAYOFF
DIRECTION D**



PLACE PRODUCT ID LABEL ON THIS SIDE TO INDICATE
THE PREFERRED PACKAGING ORIENTATION

**PAYOFF
DIRECTION B**



- NOTES:
1. NUMBER OF TERMINALS PER REEL: SEE TABLE (SHEET 2)
 2. STANDARD PACK QUANTITY (SPQ): SEE TABLE (SHEET 2)
 3. NUMBER OF REELS PER CARTON: SEE TABLE (SHEET 2)
 4. SPLICING: NO BREAKS, MAXIMUM 1 WELD PER REEL
 5. TO MINIMIZE STRESS ON TERMINALS, REELS SHOULD ALWAYS BE SHIPPED ON PALLETS WITH THE REELS LAYING FLAT AS SHOWN.
 6. PLACE CARTONS ON PALLET WITH ARROWS POINTING UP PER DETAIL 1
 7. FOR INTERNAL COPY SEE: PK-31301-053

SPO CORRECTION EC NO: UAU2015-0955 DRAWN: PHELPS 2014/12/19 CHKD: APPR: JNORTHRO 2015/01/26 REV: 4	QUALITY SYMBOLS ▽=0 ▽=0	GENERAL TOLERANCES (UNLESS SPECIFIED) <table border="1"> <tr> <th></th> <th>mm</th> <th>INCH</th> </tr> <tr> <td>4 PLACES ±</td> <td>---</td> <td>---</td> </tr> <tr> <td>3 PLACES ±</td> <td>---</td> <td>---</td> </tr> <tr> <td>2 PLACES ±</td> <td>---</td> <td>---</td> </tr> <tr> <td>1 PLACE ±</td> <td>---</td> <td>---</td> </tr> </table> ANGULAR ± 1°		mm	INCH	4 PLACES ±	---	---	3 PLACES ±	---	---	2 PLACES ±	---	---	1 PLACE ±	---	---	DIMENSION STYLE MM ONLY DRAWN BY: PHELPS DATE: 2012/10/24 CHECKED BY: DATE:	SCALE 1:10 DESIGN UNITS METRIC THIRD ANGLE PROJECTION	TITLE CTX PACKAGING SPEC GEN. MRKT. PRODUCT CUSTOMER COPY
		mm	INCH																	
	4 PLACES ±	---	---																	
	3 PLACES ±	---	---																	
2 PLACES ±	---	---																		
1 PLACE ±	---	---																		
DRAFT WHERE APPLICABLE MUST REMAIN WITHIN DIMENSIONS	APPROVED BY: JNORTHRO DATE: 2012/11/26 MATERIAL NO. SEE TABLE	MOLEX MOLEX INCORPORATED DOCUMENT NO. SD-31301-053	SHEET NO. 1 OF 2																	
THIS DRAWING CONTAINS INFORMATION THAT IS PROPRIETARY TO MOLEX INCORPORATED AND SHOULD NOT BE USED WITHOUT WRITTEN PERMISSION																				

PACKAGING DATA											
PRODUCT DESCRIPTION	CTX 64				CTX 150			CTX 280 SEALED			
PRODUCT P/N SERIES	0348030*** 0348031*** 0348032***		0348033*** 0348035***		034805****			034808****			
GRIP CODE	S	L	S	L	S	M	L	VS	S	M	L
PART WT (Kg/1000)	.1552	.1642	.126	.126	.3070	.3270	.3470	.6596	.6886	.7106	.7332
STAND PACK QTY (SPQ)	60000	60000	60000	60000	35000	30000	25000	10000	10000	10000	10000
QTY/REEL	10000	10000	10000	10000	7000	6000	5000	2000	2000	2000	2000
REELS/SHIPPER CARTON	6	6	6	6	5	5	5	5	5	5	5
CARTONS/PALLET (MAX)	5	5	5	5	5	5	5	5	5	5	5
FILLED CARTON WT (Kg)	14.83	15.37	TBD	TBD	15.64	14.70	13.57	11.5	11.8	12.0	12.2
FLANGE DIAMETER (MM)	610	610	610	610	610	610	610	610	610	610	610

CUSTOMER COPY

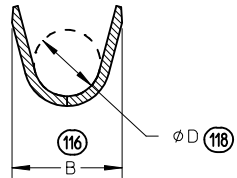
SPQ CORRECTION EC NO: UAU2015-0955 DRWN:PPHELPS 2014/12/19 CHKD: APPR: JNORTHRO 2015/01/26 REV: 4	DESCRIPTION JNORTHRO	QUALITY SYMBOLS	GENERAL TOLERANCES (UNLESS SPECIFIED) mm INCH 4 PLACES ± --- ± --- 3 PLACES ± --- ± --- 2 PLACES ± --- ± --- 1 PLACE ± --- ± --- ANGULAR ± 1 °	DIMENSION STYLE	SCALE	DESIGN UNITS	THIRD ANGLE PROJECTION		
		▽=0 ▽=0		MM ONLY	1:15	METRIC			
				DRAWN BY DATE		TITLE			
				PPHELPS 2012/10/24		CTX PACKAGING SPEC GEN. MRKT. PRODUCT CUSTOMER COPY			
		CHECKED BY DATE		APPROVED BY DATE		MOLEX INCORPORATED			
				JNORTHRO 2012/11/26		DOCUMENT NO. SD-31301-053			
		DRAFT WHERE APPLICABLE MUST REMAIN WITHIN DIMENSIONS		SEE TABLE		SHEET NO. 2 OF 2			
				THIS DRAWING CONTAINS INFORMATION THAT IS PROPRIETARY TO MOLEX INCORPORATED AND SHOULD NOT BE USED WITHOUT WRITTEN PERMISSION					

10 9 8 7 6 5 4 3 2 1

TABLE 1

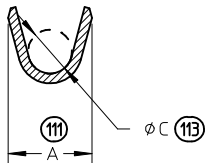
FAMILY	GENDER	SEALING	PLATING	PART NO	PAYOFF DIRECTION	GRIP SIZE	WIRE SIZES*	A ±0.20	B ±0.30	C ±0.10	D ±0.20	SPECIAL CHARACTERISTICS
CTX64	RECEPTACLE	MAT SEAL	Sn	34803-3211	LEFT (D)	S	22AWG	1.80	2.40	0.90	1.36	STANDARD
				34803-3213	RIGHT (B)		0.22-0.35mm ²					PERFORMANCE TIN
				34803-3212	LEFT (D)	L	20AWG	2.15	2.50	1.20	1.72	STANDARD
				34803-3214	RIGHT (B)		0.50-0.85mm ²					PERFORMANCE TIN

* SEE AS-502306-002 FOR SPECIFIC WIRE TYPES



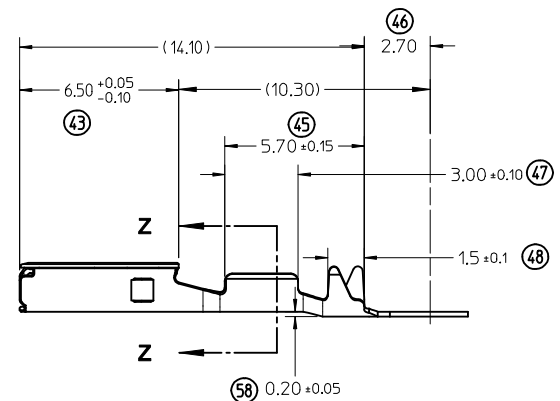
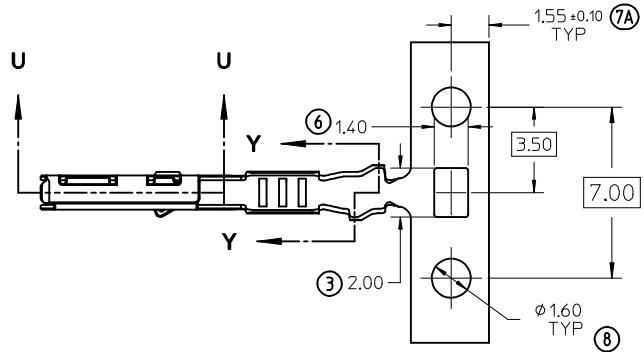
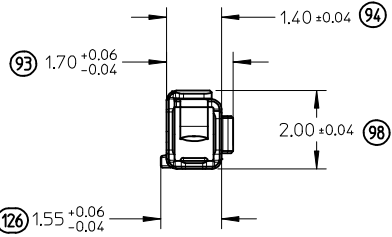
SECTION Y-Y
SCALE 10:1

INSULATION GRIP

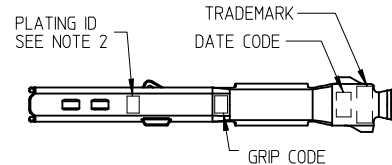


SECTION Z-Z
SCALE 10:1

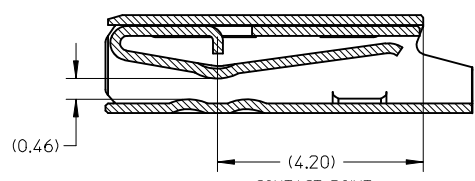
CONDUCTOR GRIP



ISO VIEWS
NOT TO SCALE



- NOTES: (UNLESS OTHERWISE SPECIFIED)
1. MATERIAL: COPPER ALLOY
 2. PLATING MARK: TIN (Sn) - NO MARK
 3. PACKAGING PER SD-31301-053
 4. CRIMPING PER AS-502306-002
 5. PROBING AT ANY LOCATION ON THE TERMINAL BEAM IS NOT PERMITTED
 6. PRODUCT SPECIFICATION PER PS-502306-001



SECTION U-U
SCALE 10:1

CONTACT POINT

MINOR CORRECTIONS EC NO: UAU2014-1797 DRWN: B JENNINGS 01 2014/05/21 CHKD: ADHIR 2014/05/21 APPR: BMOSER 2014/06/02	DESCRIPTION REV A1	QUALITY SYMBOLS	GENERAL TOLERANCES (UNLESS SPECIFIED)	DIMENSION STYLE	SCALE	DESIGN UNITS	THIRD ANGLE PROJECTION	
		$\nabla = 0$ $\nabla = 0$ $\nabla = 0$	mm INCH 4 PLACES ± --- ± --- 3 PLACES ± --- ± --- 2 PLACES ± 0.08 ± --- 1 PLACE ± 0.08 ± --- 0 PLACE ± --- ± ---	MM ONLY	5:1	METRIC	DRAWN BY DATE AKARANA 2013/03/05 CHECKED BY DATE ADHIR 2013/06/05 APPROVED BY DATE BMOSER 2013/06/27	TITLE CTX64 RECEPTACLE TERMINAL
		ANGULAR ± 1 °	DRAFT WHERE APPLICABLE MUST REMAIN WITHIN DIMENSIONS	MATERIAL NO.	DOCUMENT NO.	SHEET NO. 1 OF 1		
		SEE TABLE	THIS DRAWING CONTAINS INFORMATION THAT IS PROPRIETARY TO MOLEX INCORPORATED AND SHOULD NOT BE USED WITHOUT WRITTEN PERMISSION					

9 8 7 6 5 4 3 2 1