

# 3SB3 Pushbutton Units and Indicator Lights, 22 mm

## Actuators and Indicators, Metal, Round

### Actuators and indicators

Version	Version key-operated switch			DT	Order No.	Price per PU	PU (UNIT, SET, M)	PS*	PG	Weight per PU approx.
	Type	Lock No./color	Key removal position							kg

### Key-operated switches with holder<sup>1)</sup>



RONIS key-operated switch

#### Key-operated switches with 2 keys, 2 switch positions

Switching sequence  
O-I,  
50° operating angle,  
latching



Switching sequence O-I, 50° operating angle, latching	RONIS	SB 30	O+I	▶	<b>3SB35 00-4AD11</b>	1	1 unit	102	0.108
			O	▶	<b>3SB35 00-4AD01</b>	1	1 unit	102	0.108
			I	B	<b>3SB35 00-4AD21</b>	1	1 unit	102	0.107
	CES	SSG 10	O+I	▶	<b>3SB35 00-4LD11</b>	1	1 unit	102	0.186
			O	▶	<b>3SB35 00-4LD01</b>	1	1 unit	102	0.190
			I	B	<b>3SB35 00-4LD21</b>	1	1 unit	102	0.190

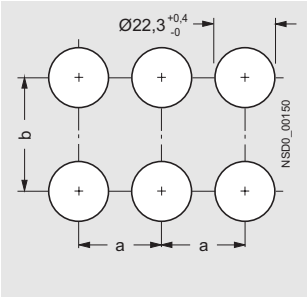
# 3SB3 Pushbutton Units and Indicator Lights, 22 mm

## Project planning aids

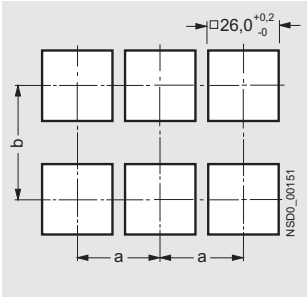
### Dimensional drawings

#### Mounting dimensions

##### Round version



##### Square version



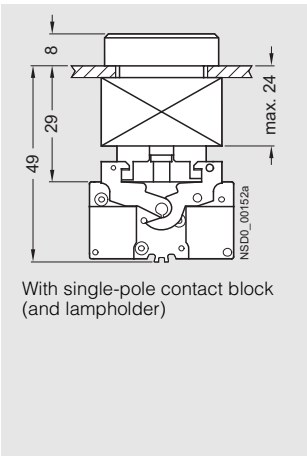
##### Minimum distance

	a	b
Contact blocks (1 contact) and lampholder		
• For front plate mounting, with screw terminals	30 <sup>1)</sup>	45
• For front plate mounting, with spring-loaded terminals	30 <sup>1)</sup>	30 <sup>1)</sup>
• For use on PCB, with solder pin connections	30 <sup>1)</sup>	30 <sup>1)</sup>
Contact blocks with 2 contacts		
• For front plate mounting	30 <sup>1)</sup>	50
When using holders for labeling plates		
• 12.5 mm × 27 mm	30 <sup>1)</sup>	45 <sup>2)</sup>
• 27.0 mm × 27 mm	30 <sup>1)</sup>	60

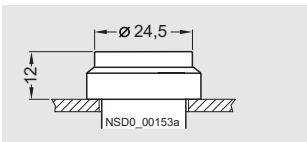
1) For mushroom pushbutton, EMERGENCY-STOP and push-pull button:  
Note mushroom diameter d = 40 mm or 60 mm.  
2) 60 mm with contact blocks having two contacts.

#### Molded-plastic version, round

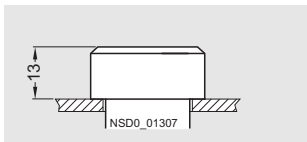
**Pushbuttons and switches, illuminated pushbuttons or illuminated switches with flat button**



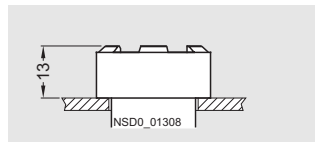
**Pushbutton or illuminated pushbutton with raised button**



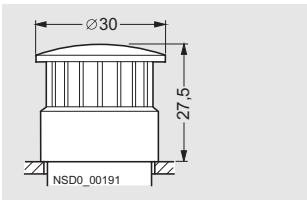
**Pushbutton with raised front ring**



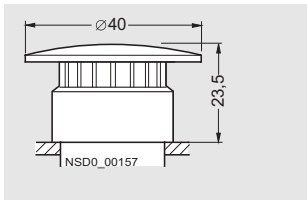
**Pushbutton with raised front ring, castellated**



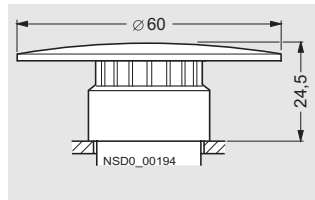
**Mushroom pushbutton, illuminated mushroom pushbutton, push-pull-button or illuminated push-pull-button, Ø 30 mm**



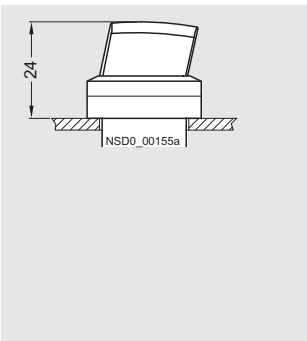
**Mushroom pushbutton, illuminated mushroom pushbutton, push-pull-button or illuminated push-pull-button, Ø 40 mm**



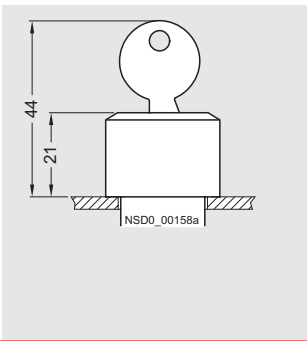
**Mushroom pushbutton, illuminated mushroom pushbutton, push-pull-button or illuminated push-pull-button, Ø 60 mm**



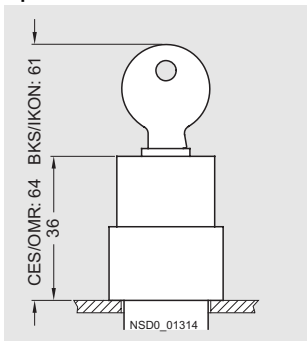
**Selector switch or illuminated selector switch**



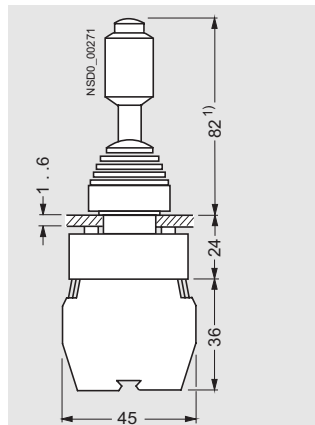
**RONIS key-operated switches**



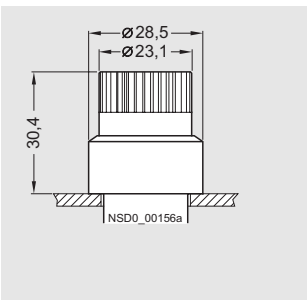
**BKS, CES, IKON, O.M.R. key-operated switch**



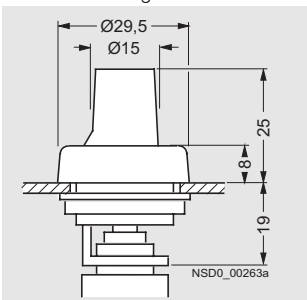
**Joystick switch**



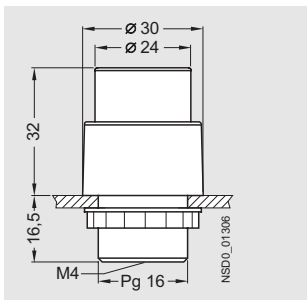
**Pushbutton with raised button, latchable**



**Actuator for potentiometer with shaft Ø 6 mm, 30 ... 32 mm long**



**Pushbutton with extended stroke**



1) 82 with mechanical interlock, 77 without mechanical interlock.