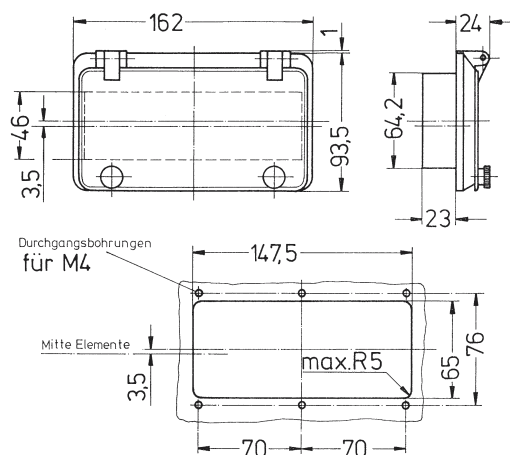
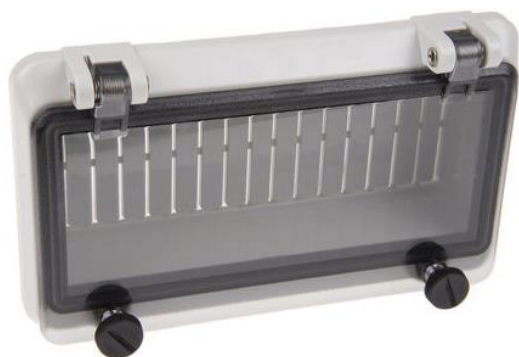


# Datasheet

Stock No: 297-1241

## RS Pro IP44 inspection window, 49x27x78mm



## Product Details

### Inspection Windows

IP67 (The 2 Module window has IP rating 44)

Polycarbonate inspection windows in smoked grey for 2, 6, 8 and 12 modules. Available with or without break break -away finger protection panel, suitable for DIN 43880//46277-3 cases

Windows are spring-loaded and can be secured with thumb screws

Temperature rating -25°C to +80°C

## Specifications:

Type	Inspection Window
Length	162mm
Width	47mm
Height	93.5mm
Dimensions	162 x 47 x 93.5mm
Material	PC
For Use With	DIN 43880, 46277-3
Colour	Grey