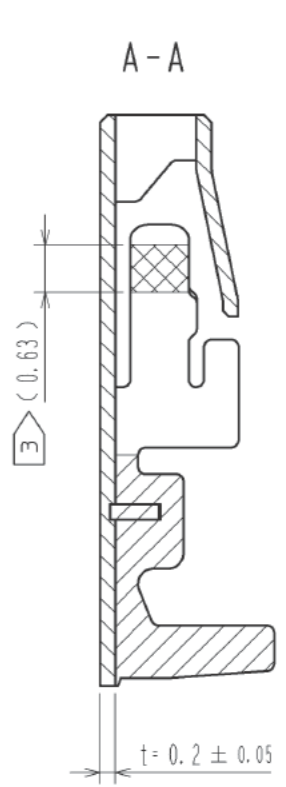
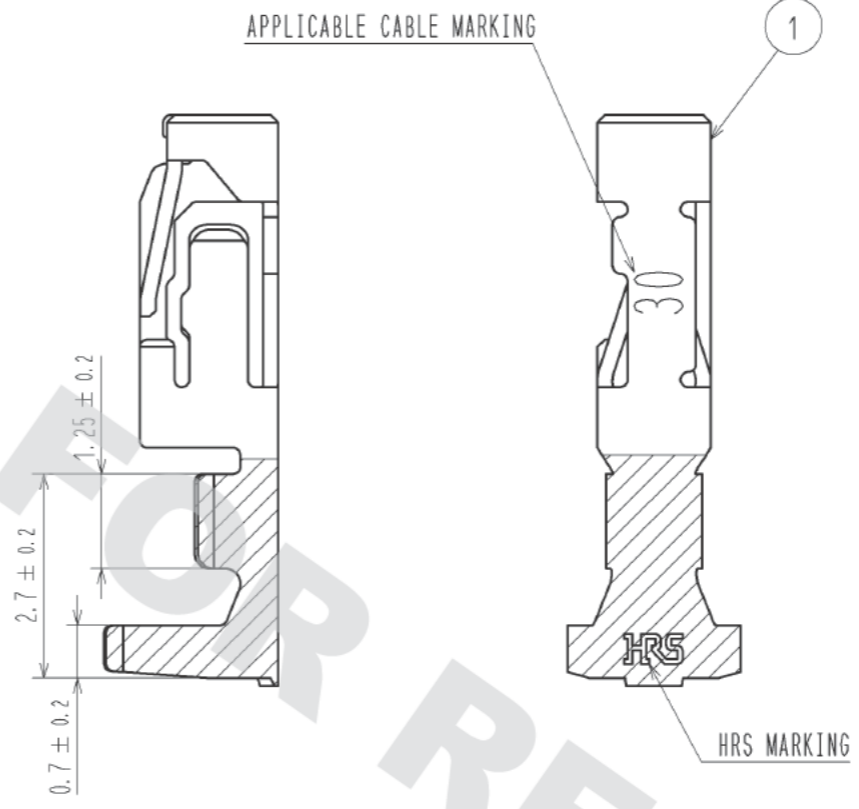
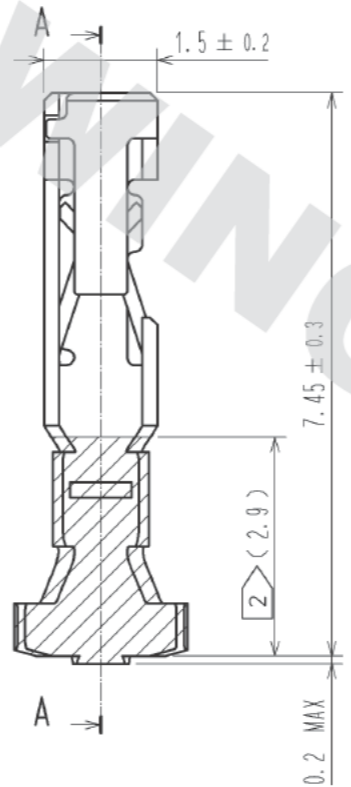
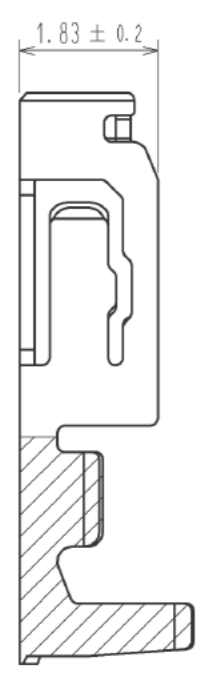


DRAWING FOR REFERENCE: This is subject to change without notice
05/31/2013

HRS DRAWING FOR REFERENCE



NOTE 1. 1PACK:100 CONTACTS
 2 TIN PLATING AREA.
 3 GOLD PLATING AREA.
 4. THE DIMENSIONS IN PARENTHESIS ARE FOR REFERENCE.

NO.	MATERIAL	FINISH . REMARKS	NO.	MATERIAL	FINISH . REMARKS
1	PHOSPHOR BRONZE				CONTACT AREA : GOLD PLATING 0.2μm MIN BARREL AREA : TIN PLATING 1μm MIN OTHERS : NICKEL PLATING 0.5μm MIN

UNITS	SCALE	COUNT	DESCRIPTION OF REVISIONS	DESIGNED	CHECKED	DATE
mm	10:1	△				
HIROSE ELECTRIC CO., LTD.			APPROVED : KI. AKIYAMA 12.07.21	DRAWING NO. EDC3-345108-00		
			CHECED : MN. KENJO 12.07.21	PART NO. DF62-30SCA		
			DESIGNED : TO. HORII 12.07.20	CODE NO. CL544-0528-8-00		
			DRAWN : TO. HORII 12.07.20	△ 1/1		