

Datasheet

Solder Mounted Pi Circuit Filters

RS Stock number 239-214



Specifications

Materials

Mounting eyelet:

Brass, silver finish.

Feed through terminations:

Copper alloy, tin lead or silver finish.

Voltage Rating:

Type C		Type Pi	
-55 to 85°C	+125°C	-55 to 85°C	+125°C
400 V d.c.	–	200 V d.c.	100 V d.c.

Mounting Hole:

4mm

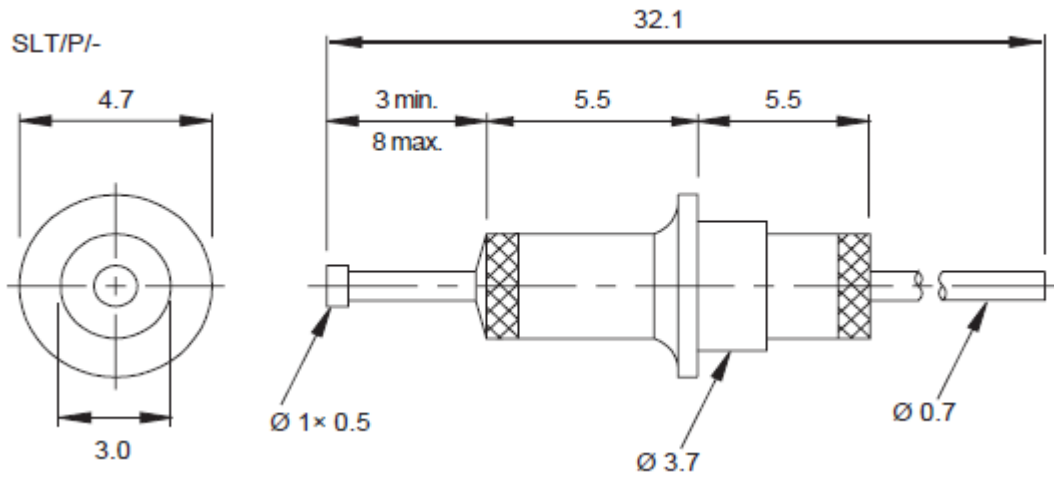
Minimum Pitch:

5mm

Characteristics

Part Number	Cap. (pF) (min.)	Current Rating (A d.c. & 400 Hz a.c.)	Typical Insertion Loss (dB) (50 Ω system)					Color Code
			1 MHz	10 MHz	100 MHz	1 GHz	10 GHz	
239214	5000	10	4	25	70	75	75	RED

**Case Dimensions:
(mm)**



Circuit Diagram

