

i-switch Flush mounting Sw Disconnectors 20A - 63A

General Description

Craig and Derricott have been manufacturing flush mounting isolators for more than 25 years and in that time the design has been carefully modified to give features that installers and end users really need.

The assembly consists of a zinc plated back box (complete with knockouts) and stainless steel fascia plate which carries the isolating switch and lockable handle. The fascia plate now comes in an attractive brushed finish which resists the fingerprint effect associated with highly polished surfaces.

Equally at home in kitchens, laboratories, food processing areas, hospitals and many other areas where an elegant, low projection isolation device is required.



i Safety Features

Padlocking

All items allow the insertion of up to three padlocks in the 'Off' position.

It is recommended that padlocking devices with a standard hasp diameter of 6.4mm are used. This will lock the handle in the 'Off' position. (Handles lockable in the 'On' position are available to special order.)



Security

The fixing screws that secure the lid to the back box are supplied with allen key heads to give a degree of security. Fixings with a higher degree of security can be supplied to order.

Switch Disconnectors (O-I) 

Catalogue Numbers




Rating	Format	Interior Switch Product Range	Cat. No.	Enclosure Size (p3)
20A	2P	GX	SDFL252	A
	3P		SDFL253/RS	
	4P		SDFL254/RS	
40A	2P	GX	SDFL402	B
	3P		SDFL403/RS	
	4P		SDFL404/RS	
63A	2P	GN	SDFL632	C
	3P		SDFL633/RS	
	4P		SDFL634/RS	

i-switch Flush mounting Sw Disconnectors 20A - 63A

Technical Specification

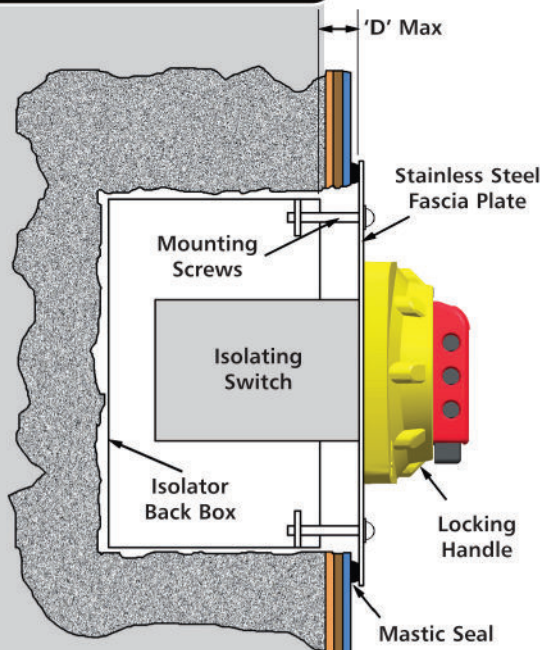
Isolator Interiors

Data supplied against tests to IEC/BS EN 60947-3

Application	Sym.	Unit	Category	Rating (A)		
				20A	40A	63A
Rated thermal current	I_{the}	A		20	40	63
Rated Insulation voltage	U_i	V		690	690	690
Rated impulse voltage	U_{imp}	kV		6.0	6.0	6.0
Rated operational current (AC)		A	400/415V - AC21A	20.0	40.0	63.0
Rated operational power (AC)		kW	380/440V - AC23	7.5	18.5	30
Rated Short Time Withstand (1 sec)	U_{sw}	A		250	800	1600
Minimum mechanical endurance			Cycles	5×10^6	5×10^6	5×10^6
Connecting capacity		-	Terminal type			
		mm ²	Flexible cable x 2	0.5 - 2.5	1.5 - 6	2.5 - 10
		mm ²	Stranded Cable x 2	0.5 - 2.5	1.5 - 10	2.5 - 16
		Nm	Tightening torque	1.0	1.2	1.5

Installation

Typical Installation
(‘D’ max = 20mm with standard length mounting screws.



Whilst the joint between the isolating switch and the stainless steel fascia plate is factory sealed to IP65 min, when installed, the fascia to mounting surface seal is the responsibility of the installer.

To maintain the sealing overall, an efficient bond must be made using some form of gasketing medium. This is particularly vital on tiled surfaces where grout lines can channel moisture down the wall.

A continuous bead of moisture resistant mastic is a simple way of providing a seal, and can improve the appearance of the final assembly on an uneven surface..

Design Features

Material

Fascia Plate - Stainless steel 304. 1.2mm thick. Brushed finish
Back Box - Sheet steel. 1.4 thick. Galvanised finish

Entries

Knockouts in back box.

Sealing

Isolating switch to stainless steel fascia plate - IP65

Mounting Screws

Stainless steel. (M5 x 25 with ‘Allen Key’ head).

Earthing

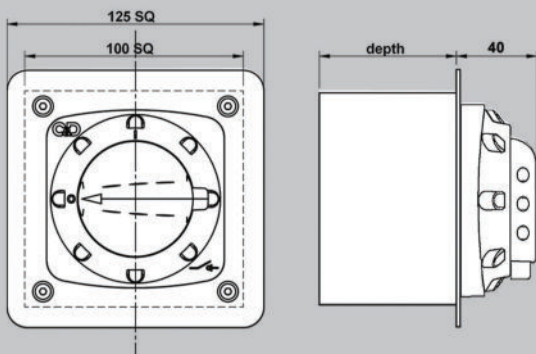
Separate earthing points on Fascia plate and back box.

i-switch Flush mounting Sw Disconnectors 20A - 63A

Dimensions

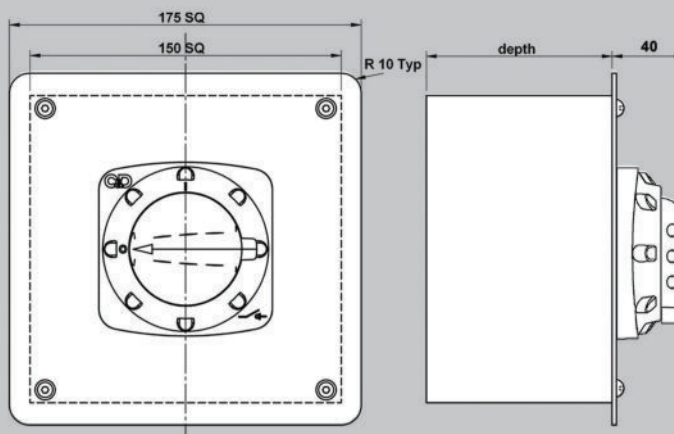
I Flush Enclosure

refers to page 1



size A

depth
Enclosure Size A - 75mm



size B & C

depth
Enclosure Size: B - 75mm Size C - 100mm