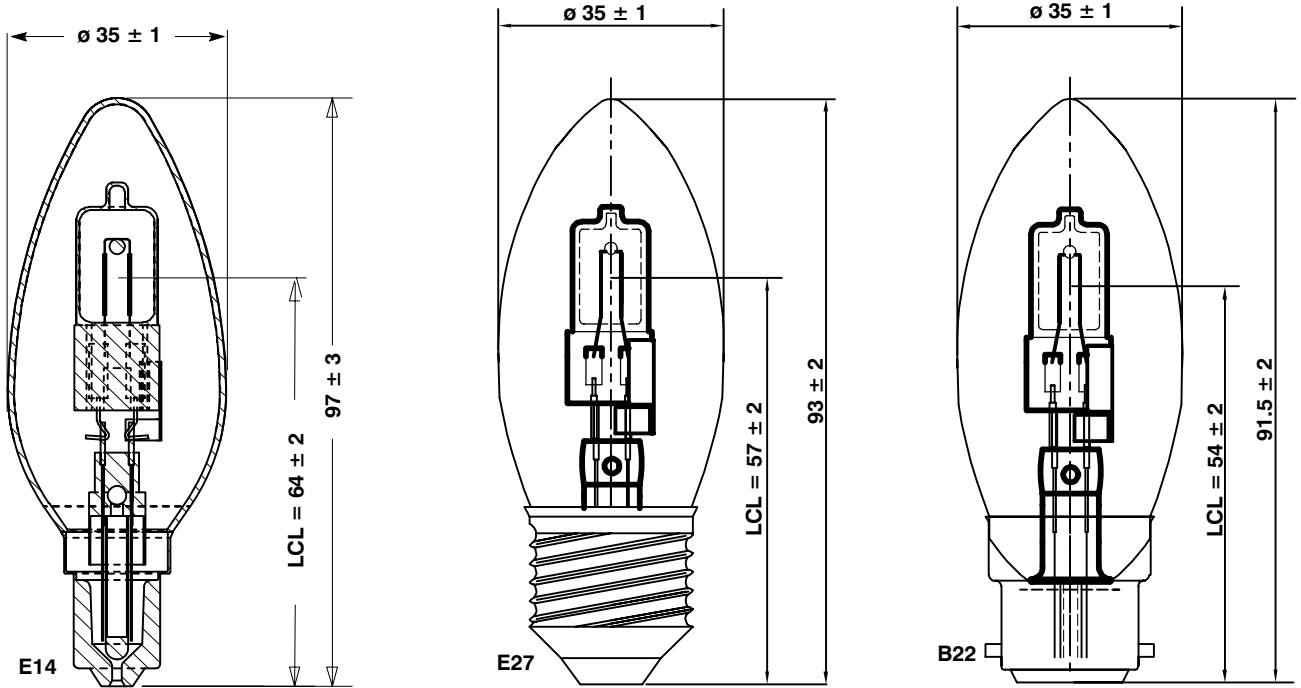


**DIMENSIONS (mm)**



Base Cap : E14/25x17 Aluminium high vitrite  
 Bulb : clear glass  
 Capsule : Improved G9 quartz

**ELECTRICAL DATA:**

			<u>NOMINAL VALUE</u>	<u>MAX</u>
Lamp wattage	(W)	:	18 28 42	19.44 30.2 45.3
Lamp voltage	(V)	:	230, 240	

**OPERATING CONDITIONS:**

		<u>18/28W</u>	<u>42W</u>
Max. allowable cap temperature rise (E14/E27/B22)(K):		130	140
Burning position	:	Universal	

**LAMP LIFE:**

Average Life	(h)	:	2000
--------------	-----	---	------

**PHOTOMETRIC DATA :**

			<u>WATTAGE</u>	<u>230V</u>	<u>240V</u>	<u>Col. t°</u>	<u>Energy label</u>	<u>CRI</u>
Nom. Rated Lumens	(lm)	:	18	180	180	2800	D	100
	(lm)		18	210	210	2800	C	100
	(lm)		28	345	345	2800	D	100
	(lm)		28	370	370	2800	C	100
	(lm)		42	600	600	2800	D	100
	(lm)		42	630	630	2800	C	100

**APPLICATION : general lighting**

**STANDARDS :** (for applicable requirements)

- IEC 60064 : tungsten filament lamps for general service
- IEC 60432 : safety requirements for tungsten filament lamps for domestic and similar general lighting purposes.
- IEC 50285 : energy efficiency of electric lamps for household use / measurement methods

**ATTENTION:** The product must be used with suitable operating equipment and in accordance with the specified data.

Issued by : TIENEN  
 Date : 27.11.2007  
 Revision date : 10.01.2012

**DATA SHEET**

Specification No. : 50-14-001/I  
 Supersedes : 50-14-001/H 25.08.2009  
 Page 1 of 1