
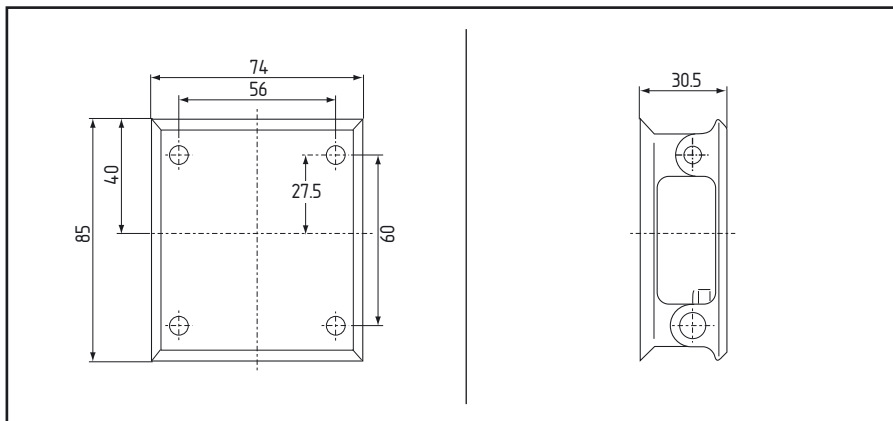


Maintained selector switch inhibit



 Only for maintained selector switches with long knob

- Alternative to key-operated maintained selector switch
- Padlocks not supplied



Assembly instructions

- Mounted from the back. For this purpose there are 4 bore holes of 3.5 mm diameter, 12 mm deep for self-cutting screws. The grid measurement in 60 × 56 mm.

Product range					
	Devices	Colour	Type	Catalogue no.	Part no.
Maintained selector switch inhibit	Maintained selector switch inhibit for 2 position versions	transparent/grey	NWSP 21 GR	0803000	1160848
	Maintained selector switch inhibit for 3 position versions	transparent/grey	NWSP 32 GR	0803020	1160850

Maintained selector switches: refer to page 20