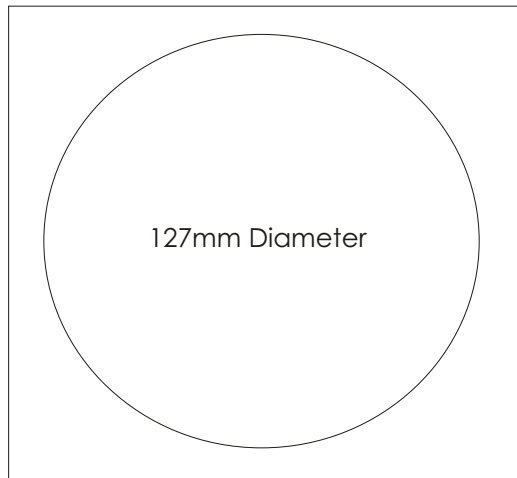
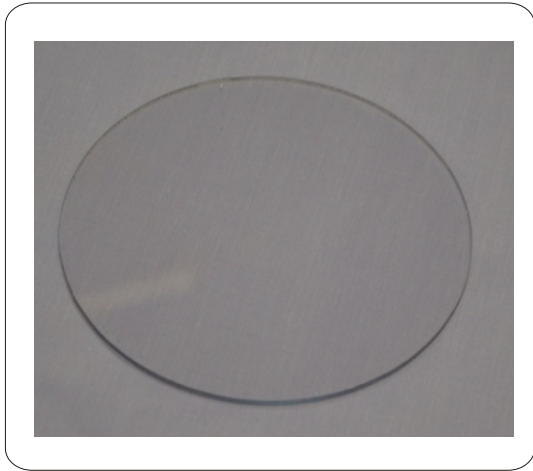




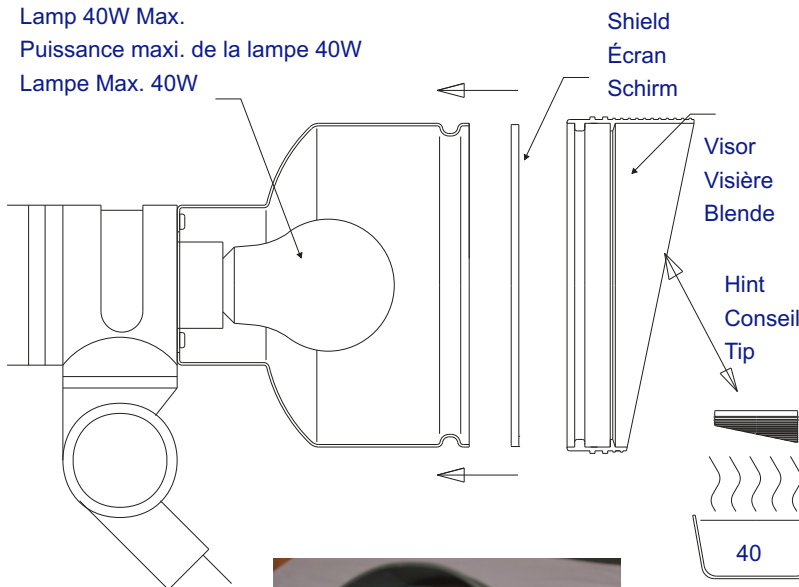
EDL Lighting Ltd



Version: Shield Clear 5" (127mm) polycarbonate

RS Order Code: 794-3456

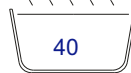
Lamp 40W Max.
Puissance maxi. de la lampe 40W
Lampe Max. 40W



This shield is designed to be fitted to the Task One Range aluminum spun shades. It is made from high impact polycarbonate and when fitted will maintain the reflective value of the shade's inner polished surface, it also increases the IP20 rating of the unit.

Please Note:

Warming the visor will make it easier to fit onto the shade and will assist in fitting the shield into the recess within the visor



Material: Clear Polycarbonate
3mm thick

RHOS Compliant: Not applicable

WEE Compliant: Not applicable

Shade with shield fitted



EDL Lighting Limited, Redbrook lane, Brereton, Rugeley, Staffs WS15 1QU

Telephone: +44(0)1889 582112

Fax: +44(0)1889 584012

Email: sales@edl-lighting.co.uk Website www.edl-lighting.co.uk